

FAG

22380-BEA-XL-MB1

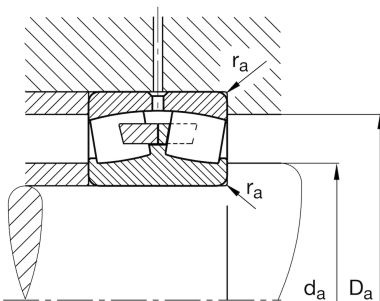
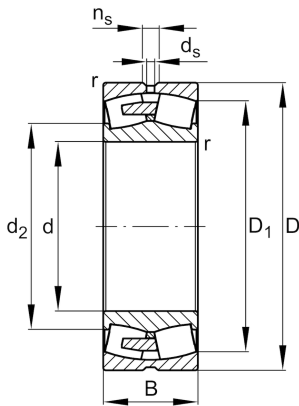
Spherical Roller Bearing

Schaeffler ID:
0941504510000

Spherical roller bearing 223..-BEA-XL-MB1, symmetric 2 outer ribs with rib washer

X-life

Technical information

**Main Dimensions & Performance Data**

d	400 mm	Bore diameter
D	820 mm	Outside diameter
B	243 mm	Width
C_r	7,800,000 N	Basic dynamic load rating, radial
C_{0r}	10,500,000 N	Basic static load rating, radial
C_{ur}	730,000 N	Fatigue load limit, radial
n_G	850 1/min	Limiting speed
n_{gr}	410 1/min	Reference speed
$\approx m$	613 kg	Weight

Mounting dimensions

$d_{a \min}$	432 mm	Minimum diameter shaft shoulder
$D_{a \max}$	788 mm	Maximum diameter of housing shoulder
$r_{a \max}$	6 mm	Maximum recess radius

Dimensions

r_{\min}	7.5 mm	Minimum chamfer dimension
D_1	701.3 mm	Bore diameter outer ring
d_s	12.5 mm	Diameter lubrication hole
n_s	23.5 mm	Width of lubricating groove

Temperature range

T_{\min}	-30 °C	Operating temperature min.
T_{\max}	200 °C	Operating temperature max.

Calculation factors

e	0.31	Limiting value of Fa/Fr for the applicability of diff. Values of factors X and Y
Y ₁	2.21	Dynamic axial load factor
Y ₂	3.29	Dynamic axial load factor
Y ₀	2.16	Static axial load factor