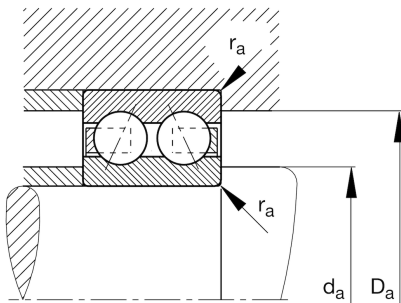
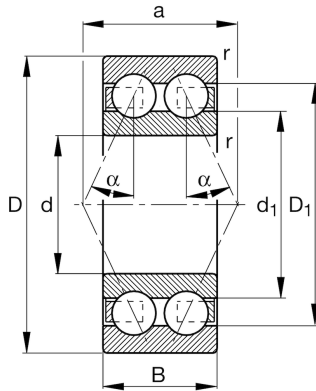
**3005**

## Angular contact ball bearing

Schaeffler ID:  
0009589130000Angular contact ball bearing 30..-B-TVH,  
double row, plastic cage

## Technical information

**Main Dimensions & Performance Data**

d	25 mm	Bore diameter
D	47 mm	Outside diameter
B	16 mm	Width
$C_r$	15,200 N	Basic dynamic load rating, radial
$C_{0r}$	10,900 N	Basic static load rating, radial
$C_{ur}$	570 N	Fatigue load limit, radial
$n_G$	15,900 1/min	Limiting speed
$n_{gr}$	11,100 1/min	Reference speed
$\approx m$	0.102 kg	Weight

**Mounting dimensions**

$d_{a \min}$	28.2 mm	Minimum diameter shaft shoulder
$D_{a \max}$	43.8 mm	Maximum diameter of housing shoulder
$r_{a \max}$	0.6 mm	Maximum fillet radius

**Dimensions**

$r_{\min}$	0.6 mm	Minimum chamfer dimension
$D_1$	40.06 mm	Shoulder diameter outer ring
$D_2$	41.76 mm	Caliber diameter outer ring
$d_1$	32.1 mm	Shoulder diameter inner ring
$d_2$	30.3 mm	Caliber diameter inner ring
a	23.4 mm	Distance between the apexes of the pressure cones
$\alpha$	25 °	Contact angle

**Temperature range**

$T_{\min}$	-30 °C	Operating temperature min.
$T_{\max}$	120 °C	Operating temperature max.