



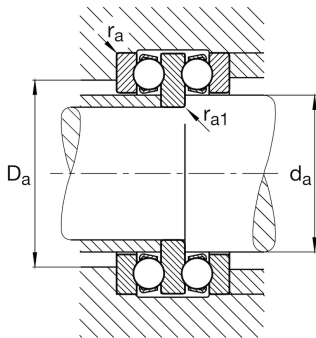
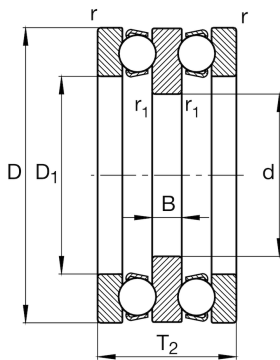
FAG

52308

Axial deep groove ball bearing

Schaeffler ID:
0167156320000Axial deep groove ball bearing 523, double
direction, steel sheet metal cage

Technical information

**Main Dimensions & Performance Data**

d	30 mm	Inner diameter shaft washer
D	78 mm	Outer diameter housing washer
T ₂	49 mm	Height
C _a	61,000 N	Basic dynamic load rating, axial
C _{0a}	112,000 N	Basic static load rating, axial
C _{ua}	5,100 N	Fatigue load limit, axial
n _G	4,250 1/min	Limiting speed
n _{gr}	7,200 1/min	Reference speed
≈m	1.06 kg	Weight

Mounting dimensions

d _{a max}	40 mm	Maximum diameter shaft shoulder
D _{a max}	55 mm	Maximum diameter of housing shoulder
r _{a max}	1 mm	Maximum fillet radius
r _{a1 max}	0.6 mm	Maximum fillet radius

Dimensions

D ₁	42 mm	Inner diameter housing washer
B	12 mm	Height shaft washer
r _{min}	1 mm	Minimum chamfer dimension
r _{1 min}	0.6 mm	Minimum chamfer dimension

Temperature range

T _{min}	-30 °C	Operating temperature min.
T _{max}	150 °C	Operating temperature max.

Calculation factors

A	0.081	Minimum load factor
---	-------	---------------------