

FAG

23060-BE-XL-K

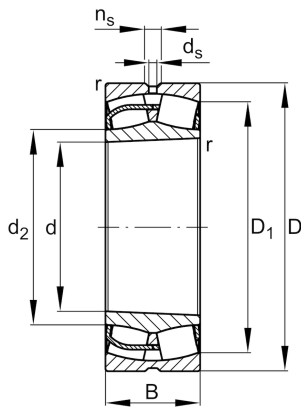
Spherical Roller Bearing

Schaeffler ID:
0655657200000

Spherical roller bearings 230..-E1-K, main dimensions to DIN 635-2, with tapered bore, taper 1:12

X-life

Technical information



Main Dimensions & Performance Data

d	300 mm	Bore diameter
D	460 mm	Outside diameter
B	118 mm	Width
C_r	2,160,000 N	Basic dynamic load rating, radial
C_{0r}	3,450,000 N	Basic static load rating, radial
C_{ur}	305,000 N	Fatigue load limit, radial
n_G	1,570 1/min	Limiting speed
n_{gr}	980 1/min	Reference speed
$\approx m$	67.275 kg	Weight

Mounting dimensions

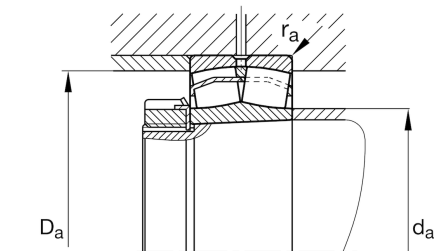
$d_{a \min}$	314.6 mm	Minimum diameter shaft shoulder
$d_{a \max}$	337 mm	Maximum diameter of shaft shoulder
$D_{a \max}$	445.4 mm	Maximum diameter of housing shoulder
$r_{a \max}$	3 mm	Maximum recess radius
$d_{b \min}$	313 mm	Minimum cavity diameter of the sleeve
$B_{a \min}$	12 mm	Minimum cavity width of the sleeve

Dimensions

r_{\min}	4 mm	Minimum chamfer dimension
D_1	413 mm	Bore diameter outer ring
d_2	340 mm	Raceway diameter of the inner ring
d_s	9.5 mm	Diameter lubrication hole
n_s	17.7 mm	Width of lubricating groove

Temperature range

T_{\min}	-30 °C	Operating temperature min.
T_{\max}	200 °C	Operating temperature max.



Calculation factors

e	0.23	Limiting value of Fa/Fr for the applicability of diff. Values of factors X and Y
Y ₁	2.92	Dynamic axial load factor
Y ₂	4.35	Dynamic axial load factor
Y ₀	2.86	Static axial load factor

Additional information

H3060	Adapter sleeve
AH3060	Withdrawal sleeve