



FAG

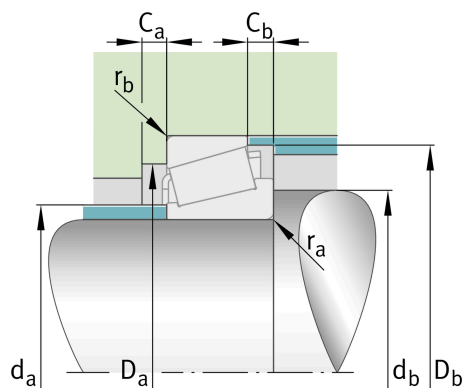
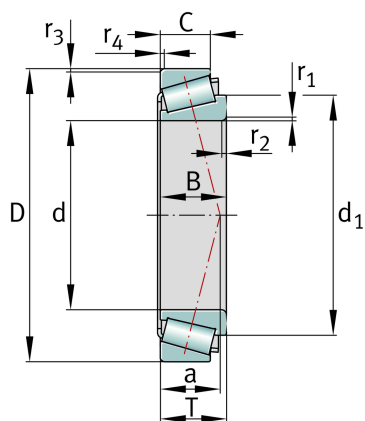
33115

Tapered roller bearing

Schaeffler ID:
0167137530000

Tapered roller bearings 331, main dimensions to DIN ISO 355 / DIN 720, separable, adjusted or in pairs

Technical information



Main Dimensions & Performance Data

d	75 mm	Bore diameter
D	125 mm	Outside diameter
B	37 mm	Width, inner ring
C	29 mm	Width, outer ring
T	37 mm	Width, total
C_r	178,000 N	Basic dynamic load rating, radial
C_{0r}	275,000 N	Basic static load rating, radial
C_{ur}	35,000 N	Fatigue load limit, radial
n_G	5,400 1/min	Limiting speed
n_{gr}	3,300 1/min	Thermal speed rating
$\approx m$	1.788 kg	Weight

Mounting dimensions

$d_{a \max}$	84 mm	Maximum diameter of shaft shoulder
$d_{b \min}$	84 mm	Minimum diameter of shaft shoulder
$D_{a \min}$	109 mm	Minimum diameter of housing shoulder
$D_{a \max}$	116 mm	Maximum diameter of housing shoulder
$D_{b \min}$	120 mm	Minimum diameter of housing shoulder
$C_{a \min}$	6 mm	Minimum axial space
$C_{b \min}$	8 mm	Minimum axial space
$r_{a \max}$	2 mm	Maximum fillet radius of shaft
$r_{b \max}$	1.5 mm	Maximum fillet radius of housing

Dimensions

$r_{1,2 \text{ min}}$	2 mm	Minimum chamfer dimension of inner ring back face
$r_{3,4 \text{ min}}$	1.5 mm	Minimum chamfer dimension of outer ring back face
a	30 mm	Distance between the apexes of the pressure cones
d_1	101.9 mm	Guidance rib diameter of inner ring

Temperature range

T_{min}	-30 °C	Operating temperature min.
T_{max}	120 °C	Operating temperature max.

Calculation factors

e	0.4	Limiting value of F_a/F_r for the applicability of diff. Values of factors X and Y
Y	1.51	Dynamic axial load factor
Y_0	0.83	Static axial load factor

Additional information

	T3DE075	Comparative designation to ISO 10317 and ISO 355
--	---------	--