



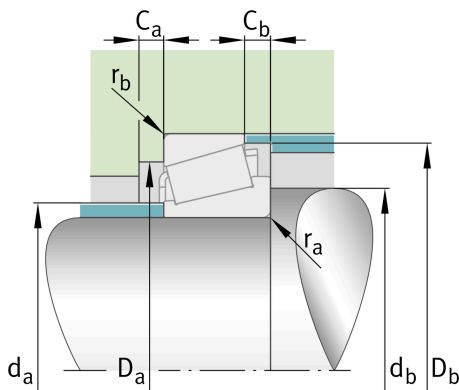
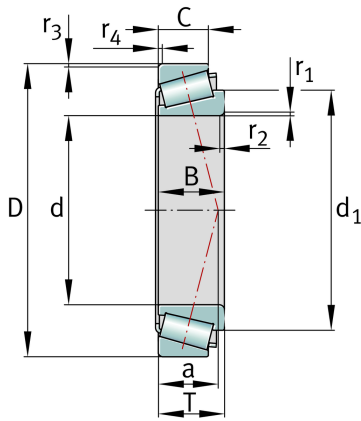
FAG

K22780-22720

Tapered roller bearing

Tapered roller bearings K-Series, in inch sizes, separable, adjusted or in pairs

Technical information



Main Dimensions & Performance Data

d	42.862 mm	Bore diameter
D	82.55 mm	Outside diameter
B	26.988 mm	Width, inner ring
C	20.638 mm	Width, outer ring
T	26.195 mm	Width, total
C_r	83,000 N	Basic dynamic load rating, radial
C_{0r}	107,000 N	Basic static load rating, radial
C_{ur}	13,300 N	Fatigue load limit, radial
n_G	8,900 1/min	Limiting speed
n_{gr}	6,100 1/min	Thermal speed rating
$\approx m$	0.645 kg	Weight

Mounting dimensions

$d_{a \max}$	50 mm	Maximum diameter of shaft shoulder
$d_{b \min}$	53 mm	Minimum diameter of shaft shoulder
$D_{a \min}$	69 mm	Minimum diameter of housing shoulder
$D_{a \max}$	72 mm	Maximum diameter of housing shoulder
$D_{b \min}$	77 mm	Minimum diameter of housing shoulder
$C_{a \min}$	4 mm	Minimum axial space
$C_{b \min}$	6 mm	Minimum axial space
$r_{a \max}$	3.6 mm	Maximum fillet radius of shaft
$r_{b \max}$	3.3 mm	Maximum fillet radius of housing

Dimensions

$r_{1,2 \text{ min}}$	3.6 mm	Minimum chamfer dimension of inner ring back face
$r_{3,4 \text{ min}}$	3.3 mm	Minimum chamfer dimension of outer ring back face
a	20 mm	Distance between the apexes of the pressure cones
d_1	63.1 mm	Guidance rib diameter of inner ring

Temperature range

T_{min}	-30 °C	Operating temperature min.
T_{max}	120 °C	Operating temperature max.

Calculation factors

e	0.4	Limiting value of F_a/F_r for the applicability of diff. Values of factors X and Y
Y	1.49	Dynamic axial load factor
Y_0	0.82	Static axial load factor