

FAG

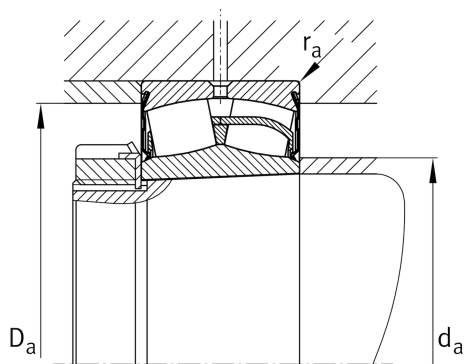
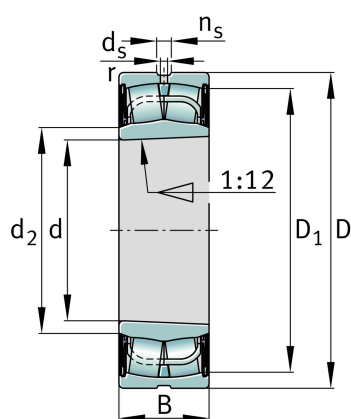
23152-BE-XL-K-2RSR

Spherical Roller Bearing

Schaeffler ID:
0934627940000Sealed spherical roller bearing, 231..-BE-
XL-K-2RSR, #####

X-life

Technical information



Main Dimensions & Performance Data

d	260 mm	Bore diameter
D	440 mm	Outside diameter
B	144 mm	Width
C _r	2,600,000 N	Basic dynamic load rating, radial
C _{0r}	3,900,000 N	Basic static load rating, radial
C _{ur}	300,000 N	Fatigue load limit, radial
n _G	375 1/min	Limiting speed
≈m	85.2 kg	Weight

Mounting dimensions

d _{a min}	277 mm	Minimum diameter shaft shoulder
d _{a max}	295 mm	Maximum diameter of shaft shoulder
D _{a max}	423 mm	Maximum diameter of housing shoulder
r _{a max}	3 mm	Maximum recess radius
d _{b min}	276 mm	Minimum cavity diameter of the sleeve
B _{a min}	11 mm	Minimum cavity width of the sleeve

Dimensions

r _{min}	4 mm	Minimum chamfer dimension
D ₁	412 mm	Bore diameter outer ring
d ₂	295 mm	Raceway diameter of the inner ring
d _s	9.5 mm	Diameter lubrication hole
n _s	17.7 mm	Width of lubricating groove

Temperature range

T _{min}	-30 °C	Operating temperature min.
T _{max}	100 °C	Operating temperature max.

Calculation factors

e	0.3	Limiting value of Fa/Fr for the applicability of diff. Values of factors X and Y
Y ₁	2.26	Dynamic axial load factor
Y ₂	3.37	Dynamic axial load factor
Y ₀	2.21	Static axial load factor

Additional information

H3152-HG-T	Adapter sleeve
AH3152G	Withdrawal sleeve