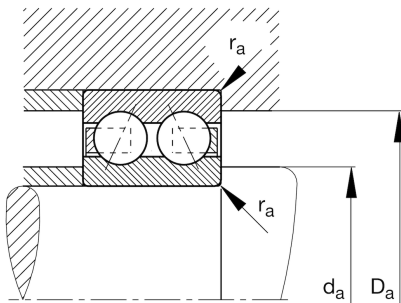
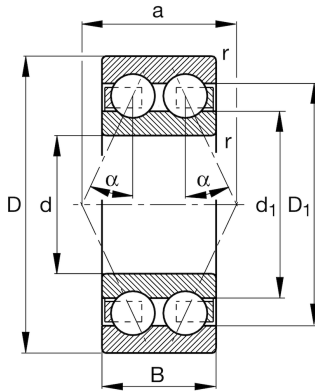
**3001**

Angular contact ball bearing

Schaeffler ID:
0008998440000Angular contact ball bearing 30..-B-TVH,
double row, plastic cage

Technical information

**Main Dimensions & Performance Data**

d	12 mm	Bore diameter
D	28 mm	Outside diameter
B	12 mm	Width
C_r	6,100 N	Basic dynamic load rating, radial
C_{0r}	3,700 N	Basic static load rating, radial
C_{ur}	193 N	Fatigue load limit, radial
n_G	29,500 1/min	Limiting speed
n_{gr}	19,300 1/min	Reference speed
$\approx m$	0.032 kg	Weight

Mounting dimensions

$d_{a \min}$	14 mm	Minimum diameter shaft shoulder
$D_{a \max}$	26 mm	Maximum diameter of housing shoulder
$r_{a \max}$	0.3 mm	Maximum fillet radius

Dimensions

r_{\min}	0.3 mm	Minimum chamfer dimension
D_1	22.5 mm	Shoulder diameter outer ring
D_2	23.16 mm	Caliber diameter outer ring
d_1	17.6 mm	Shoulder diameter inner ring
d_2	16.4 mm	Caliber diameter inner ring
a	13.5 mm	Distance between the apexes of the pressure cones
α	25 °	Contact angle

Temperature range

T_{\min}	-30 °C	Operating temperature min.
T_{\max}	120 °C	Operating temperature max.