



FAG

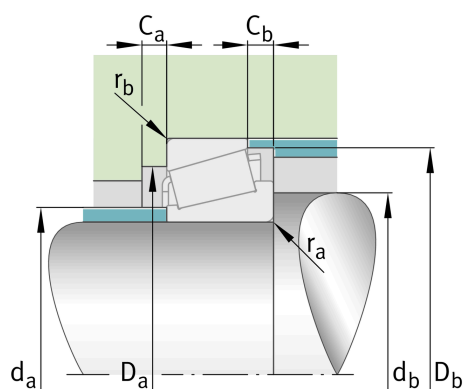
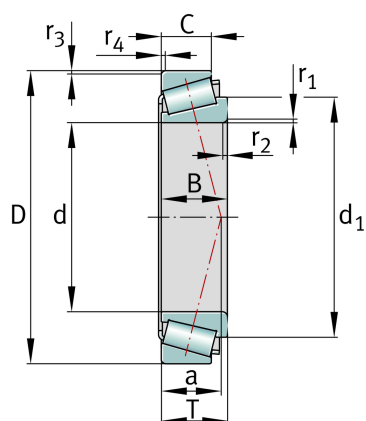
32060-X-XL

Tapered roller bearing

Schaeffler ID:
0790517820000Tapered roller bearings 320, main
dimensions to DIN ISO 355 / DIN 720,
separable, adjusted or in pairs

X-life

Technical information

**Main Dimensions & Performance Data**

d	300 mm	Bore diameter
D	460 mm	Outside diameter
B	100 mm	Width, inner ring
C	74 mm	Width, outer ring
T	100 mm	Width, total
C_r	1,780,000 N	Basic dynamic load rating, radial
C_{0r}	2,850,000 N	Basic static load rating, radial
C_{ur}	335,000 N	Fatigue load limit, radial
n_G	1,670 1/min	Limiting speed
n_{gr}	750 1/min	Thermal speed rating
$\approx m$	58 kg	Weight

Mounting dimensions

$d_{a \max}$	329 mm	Maximum diameter of shaft shoulder
$d_{b \min}$	318 mm	Minimum diameter of shaft shoulder
$D_{a \min}$	404 mm	Minimum diameter of housing shoulder
$D_{a \max}$	442 mm	Maximum diameter of housing shoulder
$D_{b \min}$	439 mm	Minimum diameter of housing shoulder
$C_{a \min}$	15 mm	Minimum axial space
$C_{b \min}$	26 mm	Minimum axial space
$r_{a \max}$	5 mm	Maximum fillet radius of shaft
$r_{b \max}$	4 mm	Maximum fillet radius of housing

Dimensions

$r_{1,2 \text{ min}}$	5 mm	Minimum chamfer dimension of inner ring back face
$r_{3,4 \text{ min}}$	4 mm	Minimum chamfer dimension of outer ring back face
a	98 mm	Distance between the apexes of the pressure cones
d_1	376 mm	Guidance rib diameter of inner ring

Temperature range

T_{min}	-30 °C	Operating temperature min.
T_{max}	200 °C	Operating temperature max.

Calculation factors

e	0.43	Limiting value of F_a/F_r for the applicability of diff. Values of factors X and Y
Y	1.38	Dynamic axial load factor
Y_0	0.76	Static axial load factor

Additional information

	T4GD300	Comparative designation to ISO 10317 and ISO 355
--	---------	--