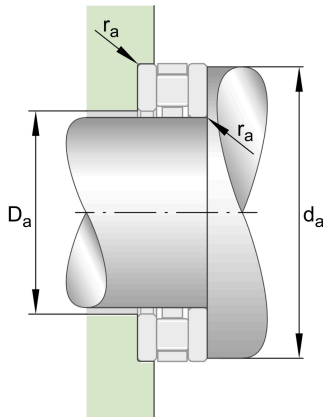
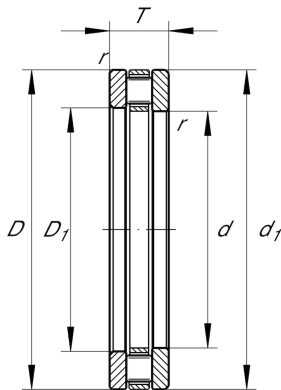
**81180-M**

## Axial cylindrical roller bearing

Schaeffler ID:  
0016348010000Axial cylindrical roller bearing 811...-M,  
single row

## Technical information

**Main Dimensions & Performance Data**

d	400 mm	Bore diameter
D	480 mm	Outside diameter
T	65 mm	Height
$C_a$	1,200,000 N	Basic dynamic load rating, axial
$C_{0a}$	5,700,000 N	Basic static load rating, axial
$C_{ua}$	445,000 N	Fatigue load limit, axial
$n_G$	650 1/min	Limiting speed
$n_{gr}$	224 1/min	Reference speed
$\approx m$	26.58 kg	Weight

**Mounting dimensions**

$d_{a \min}$	474 mm	Minimum diameter shaft shoulder
$D_{a \max}$	414 mm	Maximum diameter of housing shoulder
$r_{a \max}$	2 mm	Maximum recess radius

**Dimensions**

$D_1$	404 mm	Bore diameter housing washer
$d_1$	476 mm	Rip diameter shaft washer
$r_{\min}$	2 mm	Minimum chamfer dimension

**Temperature range**

$T_{\min}$	120 °C	Operating temperature min.
$T_{\max}$	-30 °C	Operating temperature max.

**Additional information**

K81180-M	Axial roller and cage assembly
GS81180	Housing Washer
WS81180	Shaft washer