

FAG

WS22210-E1-XL-2RSR-L055F

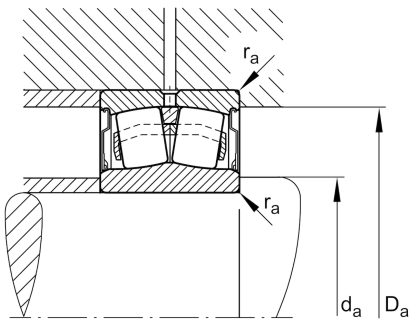
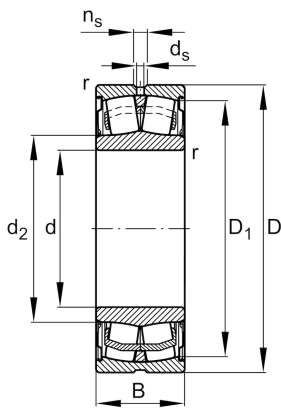
Spherical Roller Bearing

Schaeffler ID:
0930186060000

Sealed spherical roller bearings WS222..-E1, lip seals on both sides, for continuous casting machines

X-life

Technical information



Main Dimensions & Performance Data

d	50 mm	Bore diameter
D	90 mm	Outside diameter
B	28 mm	Width
C _r	109,000 N	Basic dynamic load rating, radial
C _{0r}	107,000 N	Basic static load rating, radial
C _{ur}	14,600 N	Fatigue load limit, radial
n _G	2,440 1/min	Limiting speed
≈m	0.69 kg	Weight

Mounting dimensions

d _{a min}	56 mm	Minimum diameter shaft shoulder
D _{a max}	83.1 mm	Maximum diameter of housing shoulder
r _{a max}	1 mm	Maximum recess radius

Dimensions

r _{min}	1.1 mm	Minimum chamfer dimension
D ₁	83.1 mm	Bore diameter outer ring
d ₂	56 mm	Raceway diameter of the inner ring
d _s	3.2 mm	Diameter lubrication hole
n _s	4.8 mm	Width of lubricating groove

Temperature range

T _{min}	-30 °C	Operating temperature min.
T _{max}	100 °C	Operating temperature max.

Calculation factors

e	0.23	Limiting value of Fa/Fr for the applicability of diff. Values of factors X and Y
Y ₁	2.95	Dynamic axial load factor
Y ₂	4.4	Dynamic axial load factor
Y ₀	2.89	Static axial load factor