

FAG

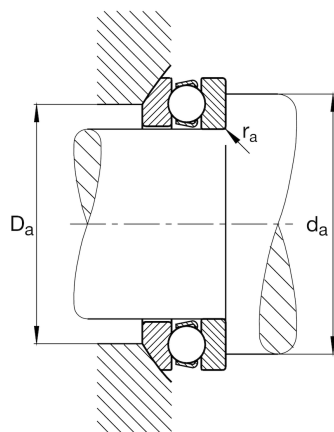
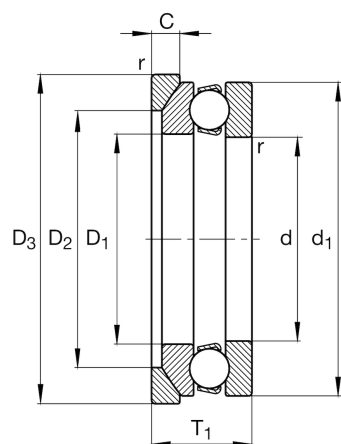
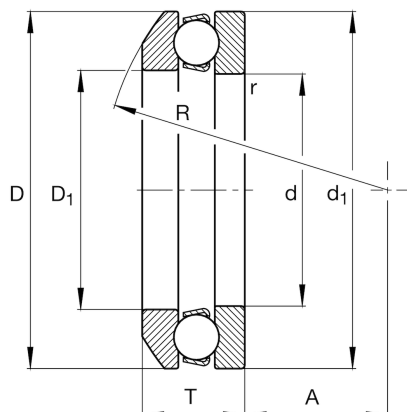
53238-MP

Axial deep groove ball bearing

Schaeffler ID:
0190704970000Axial deep groove ball bearing 532..-MP,
single direction, with spherical housing
washer, solid brass cage

Technical information

Main Dimensions & Performance Data



d	190 mm	Inner diameter shaft washer
D	270 mm	Outer diameter housing washer
T	65.7 mm	Height
C_a	335,000 N	Basic dynamic load rating, axial
C_{0a}	1,170,000 N	Basic static load rating, axial
C_{ua}	35,500 N	Fatigue load limit, axial
n_G	1,540 1/min	Limiting speed
n_{gr}	2,010 1/min	Reference speed
$\approx m$	11.263 kg	Weight

Mounting dimensions

$d_{a \min}$	238 mm	Minimum diameter shaft shoulder
$D_{a \max}$	230 mm	Maximum diameter of housing shoulder
$r_{a \max}$	2 mm	Maximum filled radius

Dimensions

r_{\min}	2 mm	Minimum chamfer dimension
D_1	194.7 mm	Inner diameter housing washer
d_1	265 mm	Outer diameter shaft washer
R	200 mm	Radius spherical housing washer
A	98 mm	Distance of the center point
T_1	73 mm	Height with seat washer

Temperature range

T_{\min}	-30 °C	Operating temperature min.
T_{\max}	200 °C	Operating temperature max.

Calculation factors

A	7.2	Minimum load factor
---	-----	---------------------

Additional information

U238	Seat washer
------	-------------

