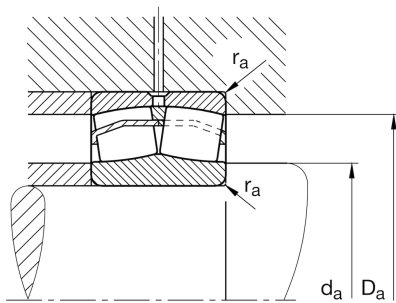
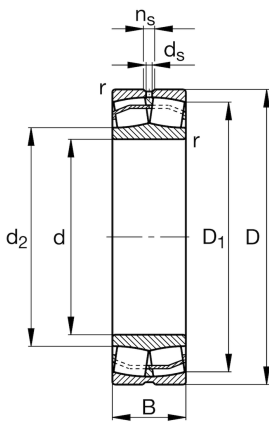


Technical information



21310-E1-XL-C3

Spherical Roller Bearing

Schaeffler ID:
0219402400030

Spherical roller bearings 213..-E1, main
dimensions to DIN 635-2

Main Dimensions & Performance Data

d	50 mm	Bore diameter
D	110 mm	Outside diameter
B	27 mm	Width
C_r	129,000 N	Basic dynamic load rating, radial
C_{0r}	130,000 N	Basic static load rating, radial
C_{ur}	17,700 N	Fatigue load limit, radial
n_G	9,000 1/min	Limiting speed
n_{gr}	5,400 1/min	Reference speed
$\approx m$	1.281 kg	Weight

Mounting dimensions

$d_{a \min}$	61 mm	Minimum diameter shaft shoulder
$D_{a \max}$	99 mm	Maximum diameter of housing shoulder
$r_{a \max}$	2 mm	Maximum recess radius

Dimensions

r_{\min}	2 mm	Minimum chamfer dimension
D_1	89.8 mm	Bore diameter outer ring
d_2	67.7 mm	Raceway diameter of the inner ring
d_s	3.2 mm	Diameter lubrication hole
n_s	4.8 mm	Width of lubricating groove

Temperature range

T_{\min}	-30 °C	Operating temperature min.
T_{\max}	200 °C	Operating temperature max.

Calculation factors

e	0.21	Limiting value of Fa/Fr for the applicability of diff. Values of factors X and Y
Y ₁	3.17	Dynamic axial load factor
Y ₂	4.72	Dynamic axial load factor
Y ₀	3.1	Static axial load factor