

FAG

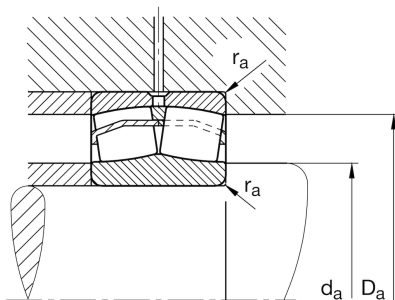
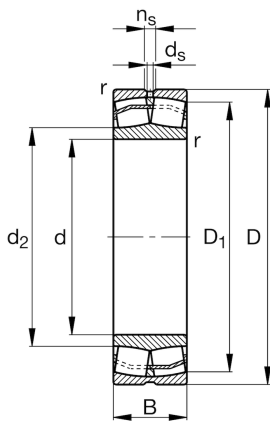
23122-E1-XL-TVPB

Spherical Roller Bearing

Schaeffler ID:
0190013120000Spherical roller bearings 231...-E1, main
dimensions to DIN 635-2

X-life

Technical information

**Main Dimensions & Performance Data**

d	110 mm	Bore diameter
D	180 mm	Outside diameter
B	56 mm	Width
C _r	530,000 N	Basic dynamic load rating, radial
C _{0r}	680,000 N	Basic static load rating, radial
C _{ur}	62,000 N	Fatigue load limit, radial
n _G	3,700 1/min	Limiting speed
n _{gr}	2,550 1/min	Reference speed
≈m	5.273 kg	Weight

Mounting dimensions

d _{a min}	121 mm	Minimum diameter shaft shoulder
D _{a max}	169 mm	Maximum diameter of housing shoulder
r _{a max}	2 mm	Maximum recess radius

Dimensions

r _{min}	2 mm	Minimum chamfer dimension
D ₁	160 mm	Bore diameter outer ring
d ₂	124.6 mm	Raceway diameter of the inner ring
d _s	4.8 mm	Diameter lubrication hole
n _s	9.5 mm	Width of lubricating groove

Temperature range

T _{min}	-30 °C	Operating temperature min.
T _{max}	120 °C	Operating temperature max.

Calculation factors

e	0.28	Limiting value of Fa/Fr for the applicability of diff. Values of factors X and Y
Y ₁	2.39	Dynamic axial load factor
Y ₂	3.56	Dynamic axial load factor
Y ₀	2.34	Static axial load factor