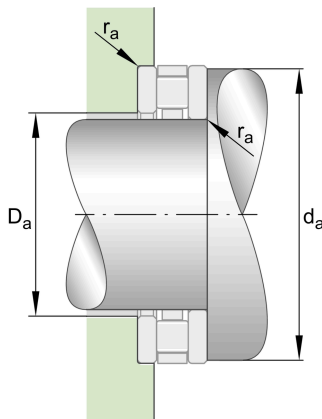
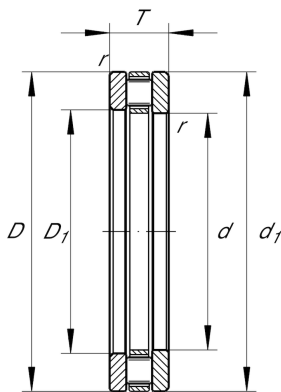
**81206-TV**

Axial cylindrical roller bearing

Schaeffler ID:
0000997750000Axial cylindrical roller bearings 874, single
direction, comprising K874, GS, WS

Technical information

**Main Dimensions & Performance Data**

d	30 mm	Bore diameter
D	52 mm	Outside diameter
T	16 mm	Height
C_a	64,000 N	Basic dynamic load rating, axial
C_{0a}	141,000 N	Basic static load rating, axial
C_{ua}	14,400 N	Fatigue load limit, axial
n_G	7,000 1/min	Limiting speed
n_{gr}	2,650 1/min	Reference speed
$\approx m$	122.5 g	Weight

Mounting dimensions

$d_{a \min}$	50 mm	Minimum diameter shaft shoulder
$D_{a \max}$	31 mm	Maximum diameter of housing shoulder
$r_{a \max}$	0.6 mm	Maximum recess radius

Dimensions

D_1	32 mm	Bore diameter housing washer
d_1	52 mm	Rip diameter shaft washer
r_{\min}	0.6 mm	Minimum chamfer dimension

Temperature range

T_{\min}	-30 °C	Operating temperature min.
T_{\max}	120 °C	Operating temperature max.

Additional information

K81206-TV	Axial roller and cage assembly
GS81206	Housing Washer
WS81206	Shaft washer