



FAG

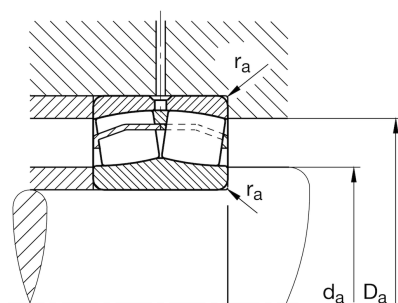
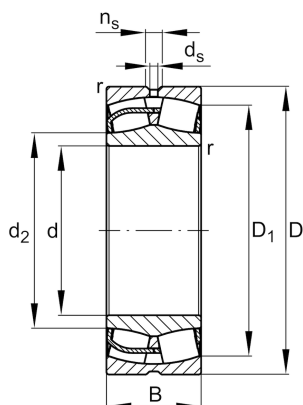
23152-BE-XL

Spherical Roller Bearing

Schaeffler ID:
0595742160000Spherical roller bearing 231..-BE-XL,
symmetric with rib washer

X-life

Technical information

**Main Dimensions & Performance Data**

d	260 mm	Bore diameter
D	440 mm	Outside diameter
B	144 mm	Width
C_r	2,600,000 N	Basic dynamic load rating, radial
C_{0r}	3,900,000 N	Basic static load rating, radial
C_{ur}	310,000 N	Fatigue load limit, radial
n_G	1,500 1/min	Limiting speed
n_{gr}	860 1/min	Reference speed
$\approx m$	87.585 kg	Weight

Mounting dimensions

$d_{a \min}$	277 mm	Minimum diameter shaft shoulder
$D_{a \max}$	423 mm	Maximum diameter of housing shoulder
$r_{a \max}$	3 mm	Maximum recess radius

Dimensions

r_{\min}	4 mm	Minimum chamfer dimension
D_1	382.7 mm	Bore diameter outer ring
d_2	301.7 mm	Raceway diameter of the inner ring
d_s	9.5 mm	Diameter lubrication hole
n_s	17.7 mm	Width of lubricating groove

Temperature range

T_{\min}	-30 °C	Operating temperature min.
T_{\max}	200 °C	Operating temperature max.

Calculation factors

e	0.32	Limiting value of Fa/Fr for the applicability of diff. Values of factors X and Y
Y ₁	2.12	Dynamic axial load factor
Y ₂	3.15	Dynamic axial load factor
Y ₀	2.07	Static axial load factor