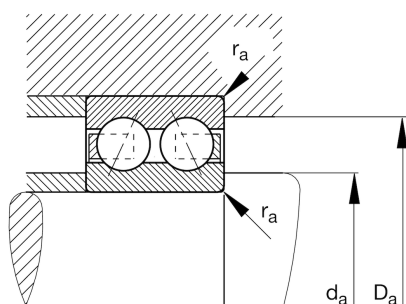
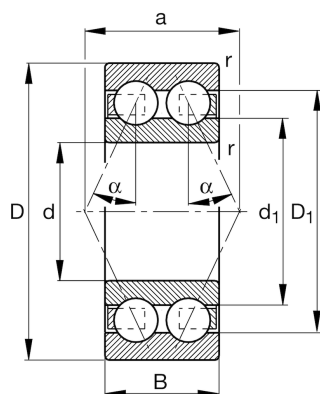
**3000**

Angular contact ball bearing

Schaeffler ID:
0861325470000Angular contact ball bearing 30...-B-TVH,
double row, plastic cage

Technical information

**Main Dimensions & Performance Data**

d	10 mm	Bore diameter
D	26 mm	Outside diameter
B	12 mm	Width
C_r	5,700 N	Basic dynamic load rating, radial
C_{0r}	3,200 N	Basic static load rating, radial
C_{ur}	166 N	Fatigue load limit, radial
n_G	31,000 1/min	Limiting speed
n_{gr}	21,900 1/min	Reference speed
$\approx m$	22 g	Weight

Mounting dimensions

$d_{a \min}$	12 mm	Minimum diameter shaft shoulder
$D_{a \max}$	24 mm	Maximum diameter of housing shoulder
$r_{a \max}$	0.3 mm	Maximum fillet radius

Dimensions

r_{\min}	0.3 mm	Minimum chamfer dimension
D_1	20.55 mm	Shoulder diameter outer ring
D_2	21.2 mm	Caliber diameter outer ring
d_1	15.8 mm	Shoulder diameter inner ring
d_2	14.15 mm	Caliber diameter inner ring
a	12.6 mm	Distance between the apexes of the pressure cones
α	25 °	Contact angle

Temperature range

T_{\min}	-30 °C	Operating temperature min.
T_{\max}	120 °C	Operating temperature max.