



FAG

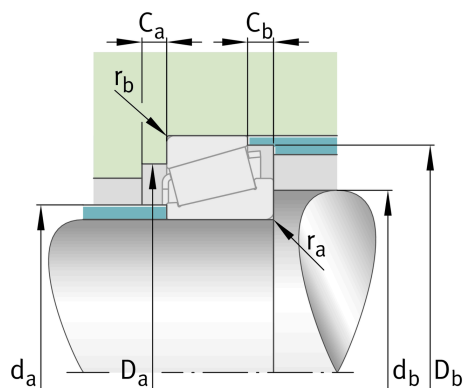
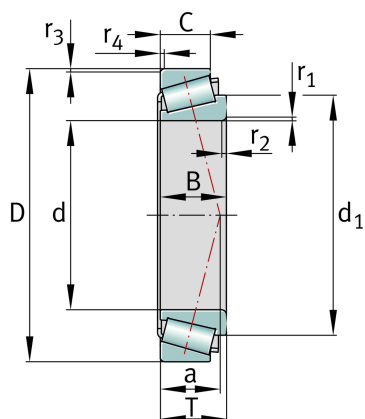
**30202-A**

Tapered roller bearing

Schaeffler ID:  
0167104010000

Tapered roller bearings 302, main dimensions to DIN ISO 355 / DIN 720, separable, adjusted or in pairs

## Technical information

**Main Dimensions & Performance Data**

d	15 mm	Bore diameter
D	35 mm	Outside diameter
B	11 mm	Width, inner ring
C	10 mm	Width, outer ring
T	11.75 mm	Width, total
$C_r$	14,700 N	Basic dynamic load rating, radial
$C_{0r}$	14,100 N	Basic static load rating, radial
$C_{ur}$	1,350 N	Fatigue load limit, radial
$n_G$	23,400 1/min	Limiting speed
$n_{gr}$	13,500 1/min	Thermal speed rating
$\approx m$	0.055 kg	Weight

**Mounting dimensions**

$d_{a \max}$	20 mm	Maximum diameter of shaft shoulder
$d_{b \min}$	19 mm	Minimum diameter of shaft shoulder
$D_{a \min}$	29 mm	Minimum diameter of housing shoulder
$D_{a \max}$	29 mm	Maximum diameter of housing shoulder
$D_{b \min}$	32 mm	Minimum diameter of housing shoulder
$C_{a \min}$	2 mm	Minimum axial space
$C_{b \min}$	1.5 mm	Minimum axial space
$r_{a \max}$	0.6 mm	Maximum fillet radius of shaft
$r_{b \max}$	0.6 mm	Maximum fillet radius of housing

**Dimensions**

$r_{1,2 \text{ min}}$	0.6 mm	Minimum chamfer dimension of inner ring back face
$r_{3,4 \text{ min}}$	0.6 mm	Minimum chamfer dimension of outer ring back face
$a$	8 mm	Distance between the apexes of the pressure cones
$d_1$	26.4 mm	Guidance rib diameter of inner ring

**Temperature range**

$T_{\text{min}}$	-30 °C	Operating temperature min.
$T_{\text{max}}$	120 °C	Operating temperature max.

**Calculation factors**

$e$	0.35	Limiting value of $F_a/F_r$ for the applicability of diff. Values of factors X and Y
$Y$	1.73	Dynamic axial load factor
$Y_0$	0.95	Static axial load factor