



FAG

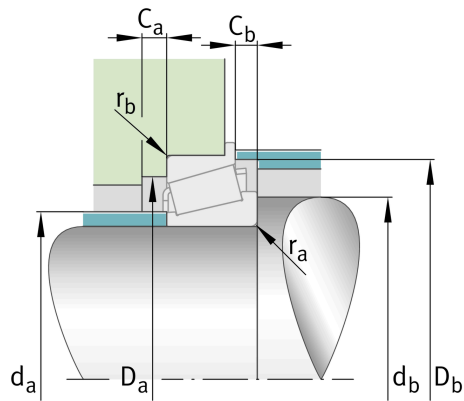
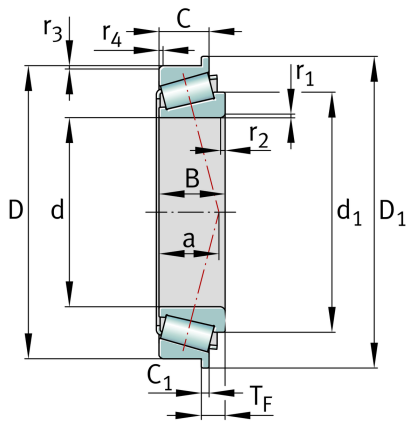
33019-XL-R

Tapered roller bearing

X-life

Tapered roller bearings with flange 330, main dimensions to DIN ISO 355 / DIN 720, separable, adjusted or in pairs

Technical information



Main Dimensions & Performance Data

d	95 mm	Bore diameter
D	145 mm	Outside diameter
B	39 mm	Width, inner ring
C	32.5 mm	Width, outer ring
T _F	12.5 mm	Width assembled flange bearing
C _r	260,000 N	Basic dynamic load rating, radial
C _{0r}	380,000 N	Basic static load rating, radial
C _{ur}	62,000 N	Fatigue load limit, radial
n _G	5,600 1/min	Limiting speed
n _{gr}	3,000 1/min	Thermal speed rating
≈m	1.85 kg	Weight

Mounting dimensions

d _{a max}	104 mm	Maximum diameter of shaft shoulder
d _{b min}	104 mm	Minimum diameter of shaft shoulder
D _{a min}	131 mm	Minimum diameter of housing shoulder
D _{a max}	136 mm	Maximum diameter of housing shoulder
D _{b min}	139 mm	Minimum diameter of housing shoulder
C _{a min}	7 mm	Minimum axial space
C _{b min}	6.5 mm	Minimum axial space
r _{a max}	2 mm	Maximum fillet radius of shaft
r _{b max}	1.5 mm	Maximum fillet radius of housing

Dimensions

$r_{1,2 \text{ min}}$	2 mm	Minimum chamfer dimension of inner ring back face
$r_{3,4 \text{ min}}$	1.5 mm	Minimum chamfer dimension of outer ring back face
a	29 mm	Distance between the apexes of the pressure cones
d_1	120.8 mm	Guidance rib diameter of inner ring
D_1	151 mm	Outside diameter flange
C_1	6 mm	Width flange

Temperature range

T_{min}	-30 °C	Operating temperature min.
T_{max}	120 °C	Operating temperature max.

Calculation factors

e	0.28	Limiting value of F_a/F_r for the applicability of diff. Values of factors X and Y
Y	2.16	Dynamic axial load factor
Y_0	1.19	Static axial load factor

Additional information

	T2CE095	Comparative designation to ISO 10317 and ISO 355
--	---------	--