



FAG

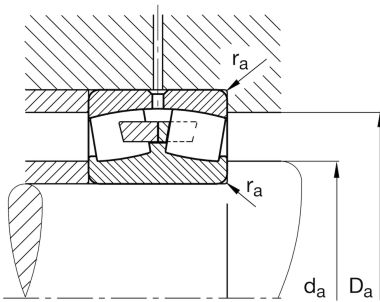
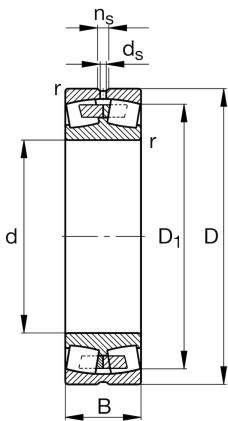
**23132-E1A-XL-M-C4**

## Spherical Roller Bearing

Schaeffler ID:  
0190315560040Spherical roller bearings 231...-E1A, main  
dimensions to DIN 635-2

X-life

## Technical information

**Main Dimensions & Performance Data**

d	160 mm	Bore diameter
D	270 mm	Outside diameter
B	86 mm	Width
$C_r$	1,160,000 N	Basic dynamic load rating, radial
$C_{0r}$	1,550,000 N	Basic static load rating, radial
$C_{ur}$	166,000 N	Fatigue load limit, radial
$n_G$	2,490 1/min	Limiting speed
$n_{gr}$	1,560 1/min	Reference speed
$\approx m$	19.857 kg	Weight

**Mounting dimensions**

$d_{a \min}$	172 mm	Minimum diameter shaft shoulder
$D_{a \max}$	258 mm	Maximum diameter of housing shoulder
$r_{a \max}$	2.1 mm	Maximum recess radius

**Dimensions**

$r_{\min}$	2.1 mm	Minimum chamfer dimension
$D_1$	238.3 mm	Bore diameter outer ring
$d_s$	8 mm	Diameter lubrication hole
$n_s$	15 mm	Width of lubricating groove

**Temperature range**

$T_{\min}$	-30 °C	Operating temperature min.
$T_{\max}$	200 °C	Operating temperature max.

**Calculation factors**

e	0.29	Limiting value of Fa/Fr for the applicability of diff. Values of factors X and Y
Y <sub>1</sub>	2.32	Dynamic axial load factor
Y <sub>2</sub>	3.45	Dynamic axial load factor
Y <sub>0</sub>	2.26	Static axial load factor