

FAG

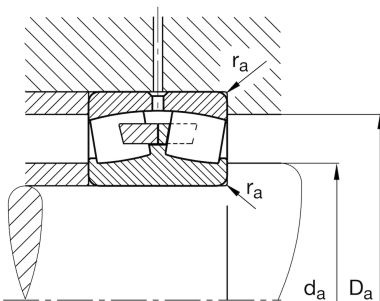
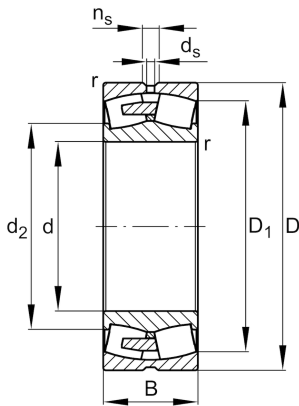
23260-BEA-XL-MB1-C3

Spherical Roller Bearing

Schaeffler ID:
0842770170030Spherical roller bearing 232..-BEA-XL-
MB1, symmetric 2 outer ribs with rib
washer

X-life

Technical information

**Main Dimensions & Performance Data**

d	300 mm	Bore diameter
D	540 mm	Outside diameter
B	192 mm	Width
C_r	4,100,000 N	Basic dynamic load rating, radial
C_{0r}	6,100,000 N	Basic static load rating, radial
C_{ur}	450,000 N	Fatigue load limit, radial
n_G	1,160 1/min	Limiting speed
n_{gr}	560 1/min	Reference speed
$\approx m$	189 kg	Weight

Mounting dimensions

$d_{a \min}$	320 mm	Minimum diameter shaft shoulder
$D_{a \max}$	520 mm	Maximum diameter of housing shoulder
$r_{a \max}$	4 mm	Maximum recess radius

Dimensions

r_{\min}	5 mm	Minimum chamfer dimension
D_1	458 mm	Bore diameter outer ring
d_s	12.5 mm	Diameter lubrication hole
n_s	23.5 mm	Width of lubricating groove

Temperature range

T_{\min}	-30 °C	Operating temperature min.
T_{\max}	200 °C	Operating temperature max.

Calculation factors

e	0.35	Limiting value of Fa/Fr for the applicability of diff. Values of factors X and Y
Y ₁	1.92	Dynamic axial load factor
Y ₂	2.86	Dynamic axial load factor
Y ₀	1.88	Static axial load factor