



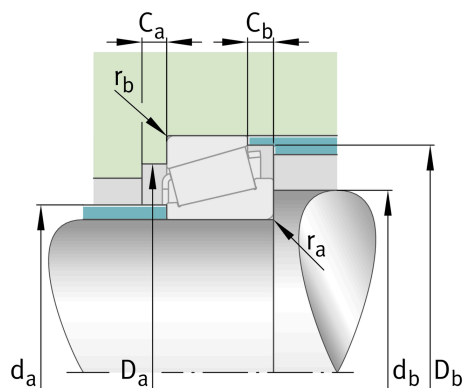
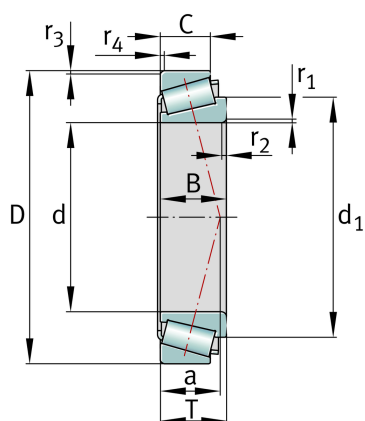
FAG

30244-A

Tapered roller bearing

Schaeffler ID:
0167107970000Tapered roller bearings 302, main
dimensions to DIN ISO 355 / DIN 720,
separable, adjusted or in pairs

Technical information

**Main Dimensions & Performance Data**

d	220 mm	Bore diameter
D	400 mm	Outside diameter
B	65 mm	Width, inner ring
C	54 mm	Width, outer ring
T	72 mm	Width, total
C_r	950,000 N	Basic dynamic load rating, radial
C_{0r}	1,330,000 N	Basic static load rating, radial
C_{ur}	138,000 N	Fatigue load limit, radial
n_G	1,750 1/min	Limiting speed
n_{gr}	1,130 1/min	Thermal speed rating
$\approx m$	34.7 kg	Weight

Mounting dimensions

$d_{a \max}$	255 mm	Maximum diameter of shaft shoulder
$d_{b \min}$	237 mm	Minimum diameter of shaft shoulder
$D_{a \min}$	348 mm	Minimum diameter of housing shoulder
$D_{a \max}$	382 mm	Maximum diameter of housing shoulder
$D_{b \min}$	371 mm	Minimum diameter of housing shoulder
$C_{a \min}$	10 mm	Minimum axial space
$C_{b \min}$	18 mm	Minimum axial space
$r_{a \max}$	5 mm	Maximum fillet radius of shaft
$r_{b \max}$	4 mm	Maximum fillet radius of housing

Dimensions

$r_{1,2 \text{ min}}$	5 mm	Minimum chamfer dimension of inner ring back face
$r_{3,4 \text{ min}}$	4 mm	Minimum chamfer dimension of outer ring back face
a	75 mm	Distance between the apexes of the pressure cones
d_1	299 mm	Guidance rib diameter of inner ring

Temperature range

T_{min}	-30 °C	Operating temperature min.
T_{max}	200 °C	Operating temperature max.

Calculation factors

e	0.42	Limiting value of F_a/F_r for the applicability of diff. Values of factors X and Y
Y	1.43	Dynamic axial load factor
Y_0	0.79	Static axial load factor