



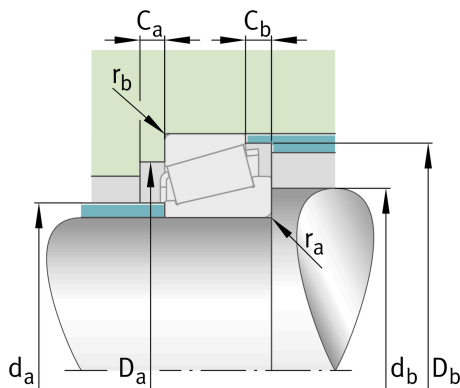
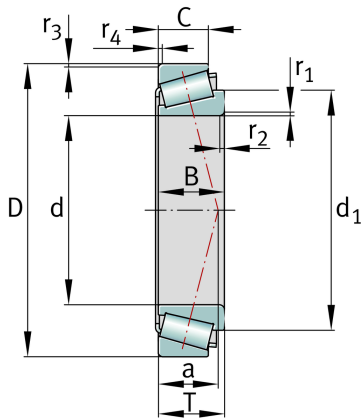
FAG

33018-P5

Tapered roller bearing

Tapered roller bearings 330, main dimensions to DIN ISO 355 / DIN 720, separable, adjusted or in pairs

Technical information

**Main Dimensions & Performance Data**

d	90 mm	Bore diameter
D	140 mm	Outside diameter
B	39 mm	Width, inner ring
C	32.5 mm	Width, outer ring
T	39 mm	Width, total
C_r	216,000 N	Basic dynamic load rating, radial
C_{0r}	365,000 N	Basic static load rating, radial
C_{ur}	46,000 N	Fatigue load limit, radial
n_G	4,750 1/min	Limiting speed
n_{gr}	3,150 1/min	Thermal speed rating
$\approx m$	2.24 kg	Weight

Mounting dimensions

$d_{a \max}$	100 mm	Maximum diameter of shaft shoulder
$d_{b \min}$	99 mm	Minimum diameter of shaft shoulder
$D_{a \min}$	127 mm	Minimum diameter of housing shoulder
$D_{a \max}$	131 mm	Maximum diameter of housing shoulder
$D_{b \min}$	135 mm	Minimum diameter of housing shoulder
$C_{a \min}$	7 mm	Minimum axial space
$C_{b \min}$	6.5 mm	Minimum axial space
$r_{a \max}$	2 mm	Maximum fillet radius of shaft
$r_{b \max}$	1.5 mm	Maximum fillet radius of housing

Dimensions

$r_{1,2 \text{ min}}$	2 mm	Minimum chamfer dimension of inner ring back face
$r_{3,4 \text{ min}}$	1.5 mm	Minimum chamfer dimension of outer ring back face
a	28 mm	Distance between the apexes of the pressure cones
d_1	116 mm	Guidance rib diameter of inner ring

Temperature range

T_{min}	-30 °C	Operating temperature min.
T_{max}	120 °C	Operating temperature max.

Calculation factors

e	0.27	Limiting value of F_a/F_r for the applicability of diff. Values of factors X and Y
Y	2.23	Dynamic axial load factor
Y_0	1.23	Static axial load factor

Additional information

	T2CE090	Comparative designation to ISO 10317 and ISO 355
--	---------	--