



Brand of NTN corporation

Technical data

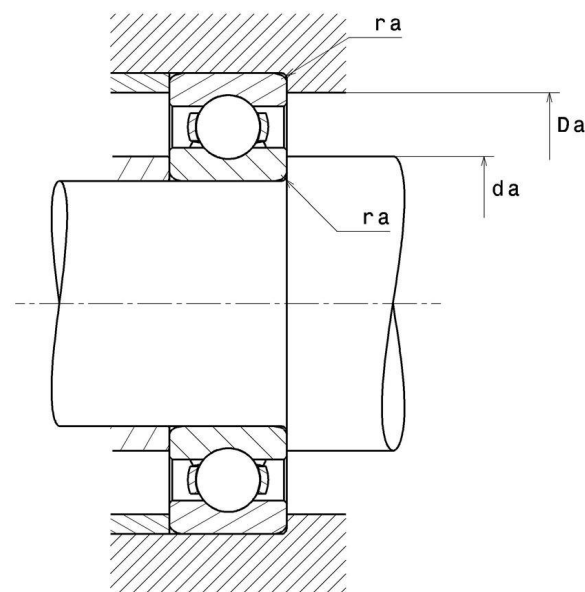
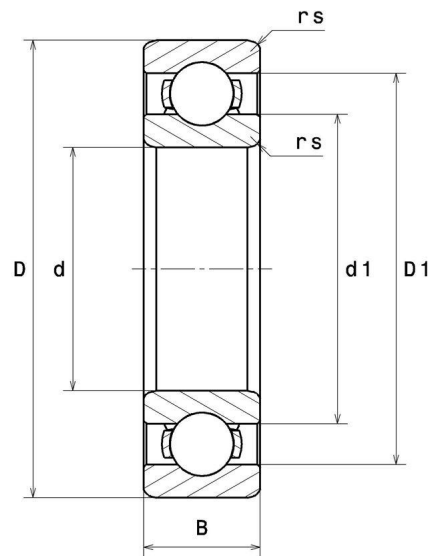
6012

Single row deep groove ball bearings



Deep groove ball bearing, radial contact, pressed steel cage, open

VISUAL (S)



NTN Europe

1 rue des Usines · BP 2017 · 74010 Annecy Cedex · France · Tel. +33 (0)4 50 65 30 00
S.A. au capital de 322 639 919 € · RCS ANNECY B 325 821 072 · Id. Fiscale : FR 48 325 821 072
SIRET 325 821 072 00015 · Code APE 2815 Z · Code NACE 28.15

PRODUCT DEFINITION

Brand	SNR
d - Internal diameter	60 mm
D - External diameter	95 mm
B - Bearing/Inner ring width	18 mm
d1 - External diameter inner ring	69,9 mm
D1 - Inner diameter outer ring	88,5 mm
rs - Min fillet radius	1,1 mm
Radial clearance class	CN
Mass	0,396 kg

PRODUCT PERFORMANCE

C - Dynamic load	34000000 mN
C0 - Static load	24700000 mN
Cu - Fatigue limit load	1120000 mN
f0 - Coefficient	15.4
Nref - Reference thermal speed	45600 °/s
Nlim - Mechanical Limit Speed	66000 °/s
Tmin - Min operating temperature	233,15 °K
Tmax - Max operating temperature	393,15 °K

BEARING FREQUENCIES

BPFO - Characteristic outer ring frequency (60 rpm)	5.586 Hz
BPFI - Characteristic inner ring frequency (60 rpm)	7.414 Hz
FTF - Characteristic cage frequency (60 rpm)	0.43 Hz
BSF - Characteristic rolling element frequency (60 rpm)	6.969 Hz



ABUTMENT

da min - Min shoulder diameter IR	66,5 mm
Da max - Max shoulder diameter OR	88,5 mm
ra max - Max shaft & housing fillet radius	1 mm

INDUSTRY CALCUL FACTORS

Equivalent dynamic radial load

$$P = X \cdot Fr + Y \cdot Fa$$

$\frac{f_0 F_a}{C_0}$	e	Fa / Fr ≤ e		Fa / Fr > e	
		X	Y	X	Y
0.172	0.19	1	0	0.56	2.3
0.345	0.22				1.99
0.689	0.26				1.71
1.03	0.28				1.55
1.38	0.3				1.45
2.07	0.34				1.31
3.45	0.38				1.15
5.17	0.42				1.04
6.89	0.44				1

Equivalent static radial load

$$P_0 = X_0 \cdot Fr + Y_0 \cdot Fa$$

X_0	Y_0
0.6	0.5

For single or DT bearing arrangement :

If $P_0 < Fr$, then use $P_0 = Fr$

