



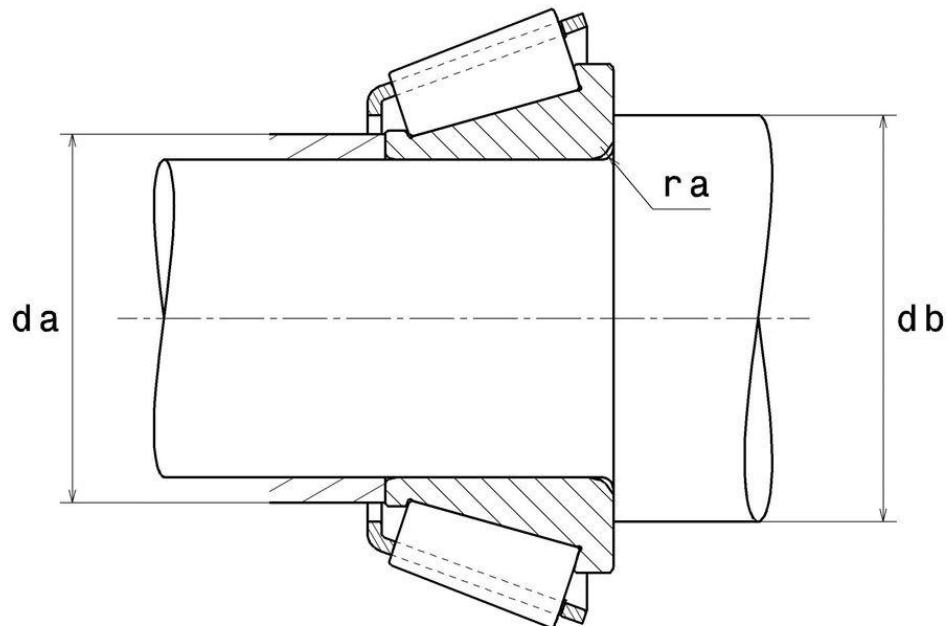
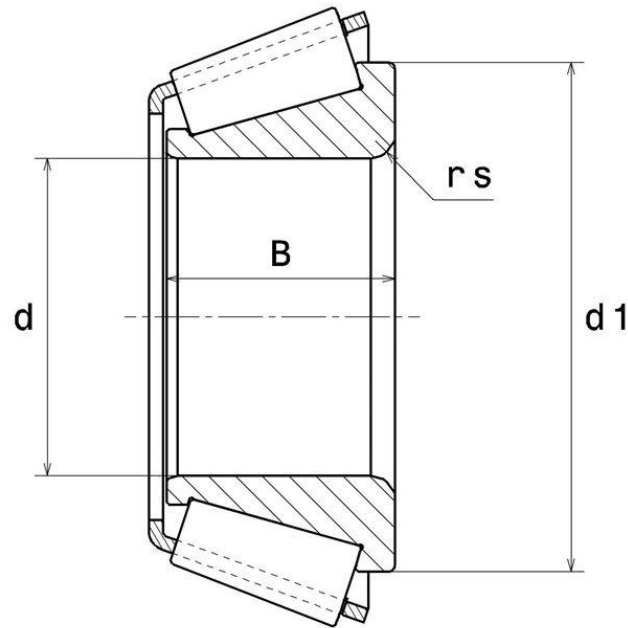
Technical data

4T-1780

Single row tapered roller bearings

Mounted cone, pressed steel cage

VISUAL (S)



4T-1780

Single row tapered roller bearings

PRODUCT DEFINITION

Brand	NTN
d - Internal diameter	25,4 mm
B - Bearing/Inner ring width	19,837 mm
d1 - External diameter inner ring	39 mm

PRODUCT PERFORMANCE

C - Dynamic load	47500000 mN
C0 - Static load	46500000 mN
A2 - Rating life coefficient	1
e - Coefficient	0.31
Y0 - Static axial load coefficient	1.07
Y2 - Upper axial load coefficient	1.95

ABUTMENT

da max - Max shoulder diameter IR	30 mm
db min - Min IR shoulder diameter	30,5 mm
ra max - Max fillet radius	0,8 mm



NTN Europe

1 rue des Usines · BP 2017 · 74010 Annecy Cedex · France · Tel. +33 (0)4 50 65 30 00
S.A. au capital de 322 639 919 € · RCS ANNECY B 325 821 072 · Id. Fiscale : FR 48 325 821 072
SIRET 325 821 072 00015 · Code APE 2815 Z · Code NACE 28.15

INDUSTRY CALCUL FACTORS

Equivalent dynamic radial load

$$P = X \cdot Fr + Y \cdot Fa$$

$Fa / Fr \leq e$		$Fa / Fr > e$	
X	Y	X	Y
1	0	0.4	Y2

Equivalent static radial load

$$P_0 = X_0 \cdot Fr + Y_0 \cdot Fa$$

X_0	Y_0
0.5	Y0

If $P_0 \leq Fr$, then use $P_0 = Fr$

The values for e, Y2 and Y0 are shown in the above table

