



Brand of NTN corporation

Technical data

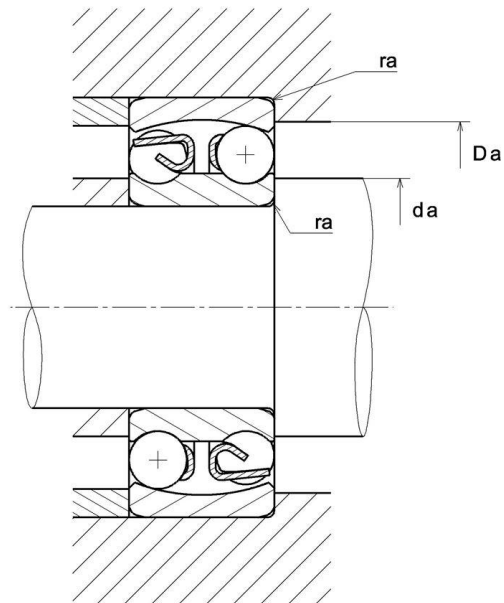
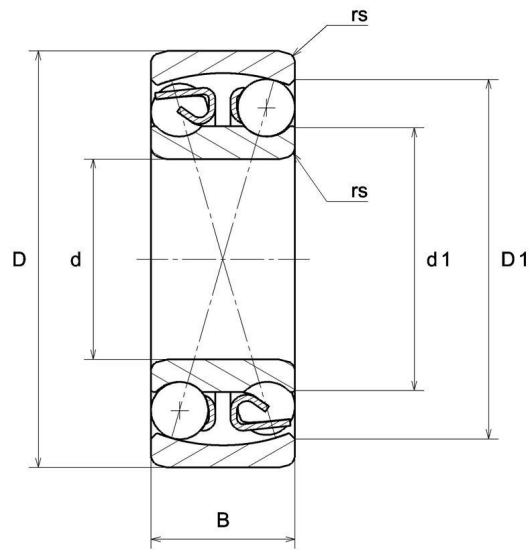
2306

Double-row self-aligning ball bearings



Self-aligning ball bearing, pressed steel cage, open

VISUAL (S)



NTN Europe

1 rue des Usines · BP 2017 · 74010 Annecy Cedex · France · Tel. +33 (0)4 50 65 30 00
S.A. au capital de 322 639 919 € · RCS ANNECY B 325 821 072 · Id. Fiscale : FR 48 325 821 072
SIRET 325 821 072 00015 · Code APE 2815 Z · Code NACE 28.15

PRODUCT DEFINITION

Brand	SNR
d - Internal diameter	30 mm
D - External diameter	72 mm
B - Bearing/Inner ring width	27 mm
d1 - External diameter inner ring	41,9 mm
D1 - Inner diameter outer ring	58,4 mm
rs - Min fillet radius	1,1 mm
Radial clearance class	CN
Precision class	P0
Mass	0,501 kg

PRODUCT PERFORMANCE

C - Dynamic load	30400000 mN
C0 - Static load	8800000 mN
Cu - Fatigue limit load	400000 mN
e - Coefficient	0.44
Y0 - Static axial load coefficient	1.5
Y1 - Lower axial load coefficient	1.43
Y2 - Upper axial load coefficient	2.22
Nref - Reference thermal speed	60000 °/s
Nlim - Mechanical Limit Speed	78000 °/s
Tmin - Min operating temperature	233,15 °K
Tmax - Max operating temperature	393,15 °K



BEARING FREQUENCIES

BPFO - Characteristic outer ring frequency (60 rpm)	4.25 Hz
BPFI - Characteristic inner ring frequency (60 rpm)	6.75 Hz
FTF - Characteristic cage frequency (60 rpm)	0.386 Hz
BSF - Characteristic rolling element frequency (60 rpm)	4.006 Hz

ABUTMENT

da min - Min shoulder diameter IR	36,5 mm
Da max - Max shoulder diameter OR	65,5 mm
ra max - Max shaft & housing fillet radius	1 mm

