



Brand of NTN corporation



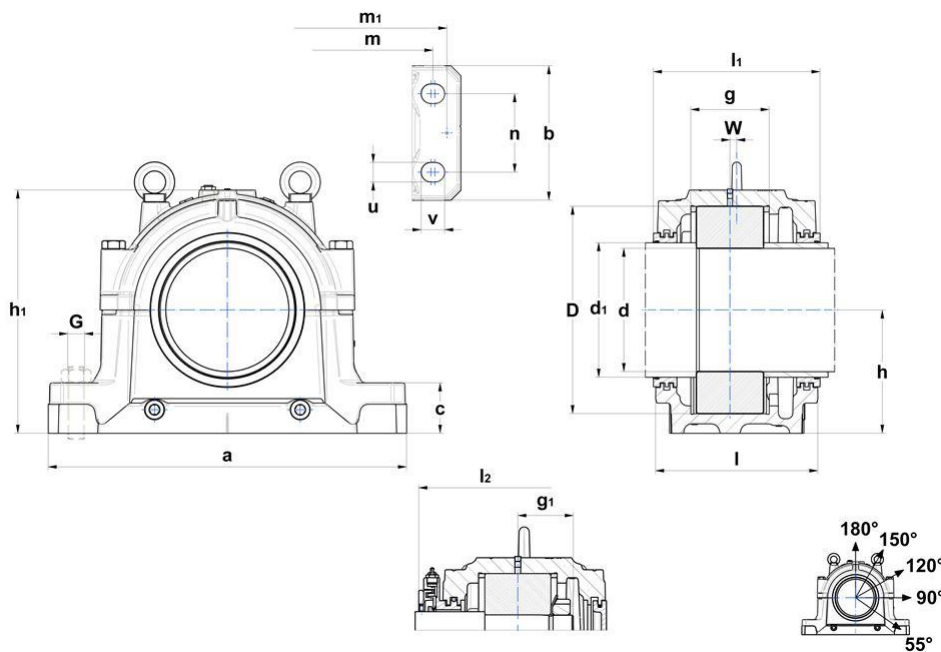
Technical data

SNCD3060R + 23060

Large split housings SNCD

Split plummer block for bearings with cylindrical bore, made of ductile cast, for grease lubrication

VISUAL (S)



PRODUCT DEFINITION

Brand	SNR
d - Shaft diameter	300 mm
d1 - Shaft diameter outlet large	320 mm
a - Housing length	790 mm
b - Housing foot width	280 mm
c - Housing foot height	105 mm
g - Bearing seat width	168 mm
h - Bearing center height	280 mm



NTN Europe

1 rue des Usines · BP 2017 · 74010 Annecy Cedex · France · Tel. +33 (0)4 50 65 30 00
 S.A. au capital de 322 639 919 € · RCS ANNECY B 325 821 072 · Id. Fiscale : FR 48 325 821 072
 SIRET 325 821 072 00015 · Code APE 2815 Z · Code NACE 28.15

SNCD3060R + 23060

Large split housings SNCD

PRODUCT DEFINITION	
h1 - Housing height	551 mm
l - Housing mid width	320 mm
l1 - Width over TS	330 mm
l2 - Width over TA	412 mm
m - Mounting hole/punches distance (length)	670 mm
m1 - Distance punches dowel pins	740 mm
n - Mounting hole distance (width)	160 mm
u - Mounting hole (width)	42 mm
v - Mounting hole (length)	50 mm
D - Bearing seat diameter	460 mm
g1 - Distance small shaft shoulder to bearing center	133,5 mm
W - Bearing distance	16 mm
Housing weight	230 kg
Material of Housing	ductile cast
Initial grease quantity	8,5 l

BOLTS	
G - Fixing bolts	M36
Recommended torque fixing bolts	1750 N-m
Connection bolts	M30x220
Recommended torque connection bolts	870 N-m
Eye bolt(s)	M24
Maximum loads 120°	1300000000 mN
Maximum loads 150°	750000000 mN



NTN Europe

1 rue des Usines · BP 2017 · 74010 Annecy Cedex · France · Tel. +33 (0)4 50 65 30 00
 S.A. au capital de 322 639 919 € · RCS ANNECY B 325 821 072 · Id. Fiscale : FR 48 325 821 072
 SIRET 325 821 072 00015 · Code APE 2815 Z · Code NACE 28.15

SNCD3060R + 23060

Large split housings SNCD

BOLTS

Maximum loads 180°	650000000 mN
---------------------------	--------------

BREAKING LOADS

Breaking loads P 0°	7200000000 mN
----------------------------	---------------

Breaking loads P 55°	9000000000 mN
-----------------------------	---------------

Breaking loads P 90°	4300000000 mN
-----------------------------	---------------

Breaking loads P 120°	3200000000 mN
------------------------------	---------------

Breaking loads P 150°	2800000000 mN
------------------------------	---------------

Breaking loads P 180°	3600000000 mN
------------------------------	---------------

ASSOCIATED COMPONENTS - GENERAL

Designation of housing	SNCD3060R
-------------------------------	-----------

Bearing	23060
----------------	-------

Fixing rings	2 x FR460x25x12
---------------------	-----------------

Labyrinth sealing TS	TS-68
-----------------------------	-------

Taconite Sealing TA	TA-68
----------------------------	-------

End cover TE	TE-68
---------------------	-------



NTN Europe

1 rue des Usines · BP 2017 · 74010 Annecy Cedex · France · Tel. +33 (0)4 50 65 30 00
S.A. au capital de 322 639 919 € · RCS ANNECY B 325 821 072 · Id. Fiscale : FR 48 325 821 072
SIRET 325 821 072 00015 · Code APE 2815 Z · Code NACE 28.15