

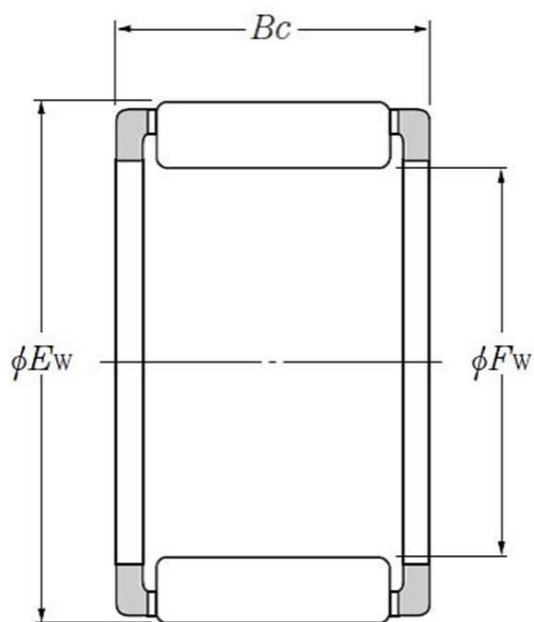
## Technical data

### PK29X43X428X

Needle roller and cage assemblies

Needle roller bearing, cage assembly for connecting rod, crank-pin, machined cage

#### VISUAL (S)



#### PRODUCT DEFINITION

<b>Brand</b>	NTN
<b>Fw - Under rollers diameter</b>	29 mm
<b>Ew - Upper rollers diameter</b>	43 mm
<b>Bc - Cage Width</b>	42,8 mm
<b>Mass</b>	0,19 kg

#### PRODUCT PERFORMANCE

<b>Tmin - Min operating temperature</b>	253,15 °K
<b>Tmax - Max operating temperature</b>	393,15 °K



ABUTMENT

**b - Raceway width**

42,8 mm

