



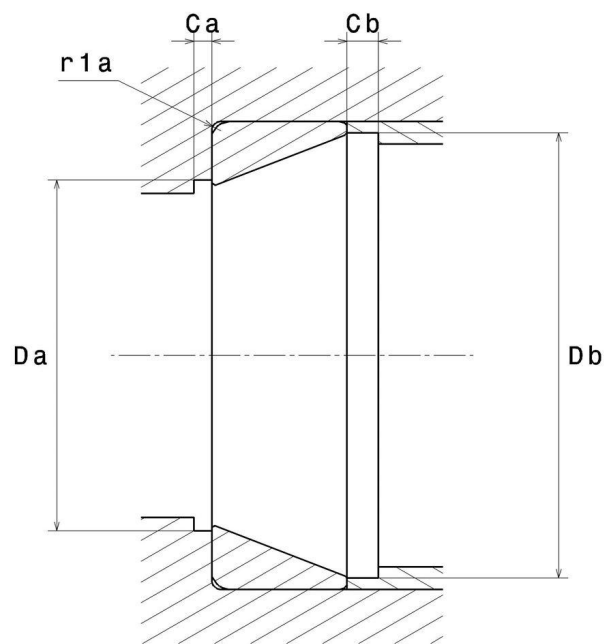
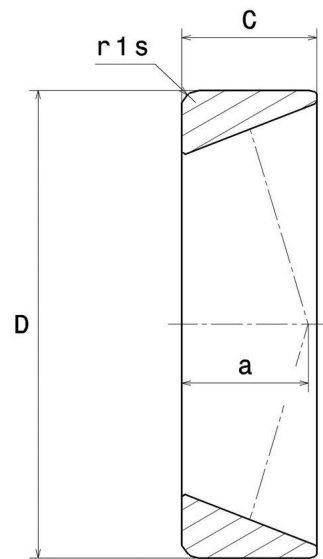
Technical data

4T-13830

Single row tapered roller bearings

Cup

VISUAL (S)



4T-13830

Single row tapered roller bearings

PRODUCT DEFINITION

Brand	NTN
D - External diameter	63,5 mm
C - Outer ring width	9,525 mm

PRODUCT PERFORMANCE

A2 - Rating life coefficient	1
-------------------------------------	---

ABUTMENT

Da max - Max shoulder diameter OR	59 mm
Db min - Min OR shoulder diameter	60 mm
r1a - Max fillet radius	0,8 mm



NTN Europe

1 rue des Usines · BP 2017 · 74010 Annecy Cedex · France · Tel. +33 (0)4 50 65 30 00
S.A. au capital de 322 639 919 € · RCS ANNECY B 325 821 072 · Id. Fiscale : FR 48 325 821 072
SIRET 325 821 072 00015 · Code APE 2815 Z · Code NACE 28.15

INDUSTRY CALCUL FACTORS

Equivalent dynamic radial load

$$P = X.F_r + Y.F_a$$

Fa / Fr ≤ e		Fa / Fr > e	
X	Y	X	Y
1	0	0.4	Y2

Equivalent static radial load

$$P_0 = X_0.F_r + Y_0.F_a$$

X ₀	Y ₀
0.5	Y0

If $P_0 \leq F_r$, then use $P_0 = F_r$

The values for e, Y2 and Y0 are shown in the above table

