



Brand of NTN corporation

Technical data

USF210N

Bearing units

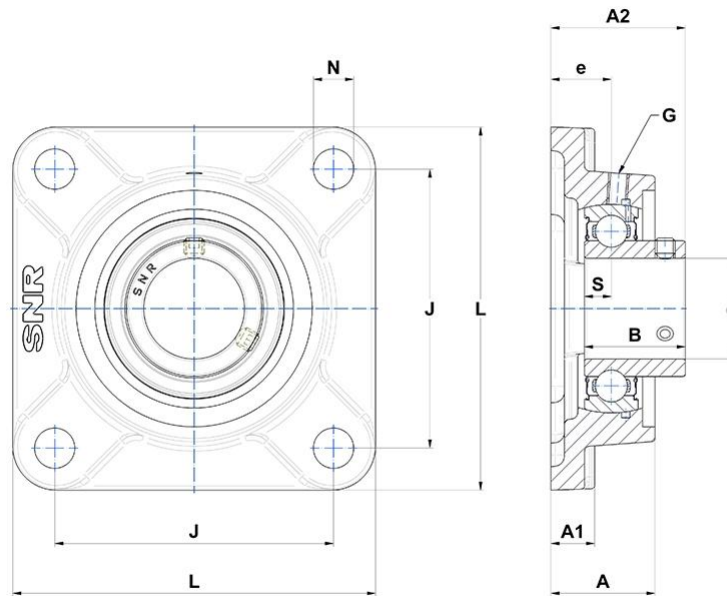


Grey cast housing, radial insert ball bearing with socket set screws, single lip seal

KIT CONTENT

US210G2, F210N

VISUAL (S)



PRODUCT DEFINITION

Brand	SNR
A - Housing height	40 mm
A1 - Housing foot height / flange height	16 mm
A2 - Total height from mounting surface	54,6 mm
B - Width of Inner Ring	43,5 mm
d - Shaft diameter	50 mm



NTN Europe

1 rue des Usines · BP 2017 · 74010 Annecy Cedex · France · Tel. +33 (0)4 50 65 30 00
 S.A. au capital de 322 639 919 € · RCS ANNECY B 325 821 072 · Id. Fiscale : FR 48 325 821 072
 SIRET 325 821 072 00015 · Code APE 2815 Z · Code NACE 28.15

PRODUCT DEFINITION

e - Distance mounting surface to bearing center	22 mm
G - Grease fitting	M6x1
J - Mounting holes distance	111 mm
L - Housing width / diameter	143 mm
N - Mounting hole dimension	16 mm
S - Distance front side/bearing centre	10,9 mm

PRODUCT PERFORMANCE

C - Dynamic load rating	35100000 mN
C0 - Static load rating	23200000 mN
Operating temperature min.	253,15 °K
Operating temperature max.	373,15 °K

OTHER FEATURES

Mass	2,42 kg
Recommended tightening torque for set screw	11.5 N-m

