

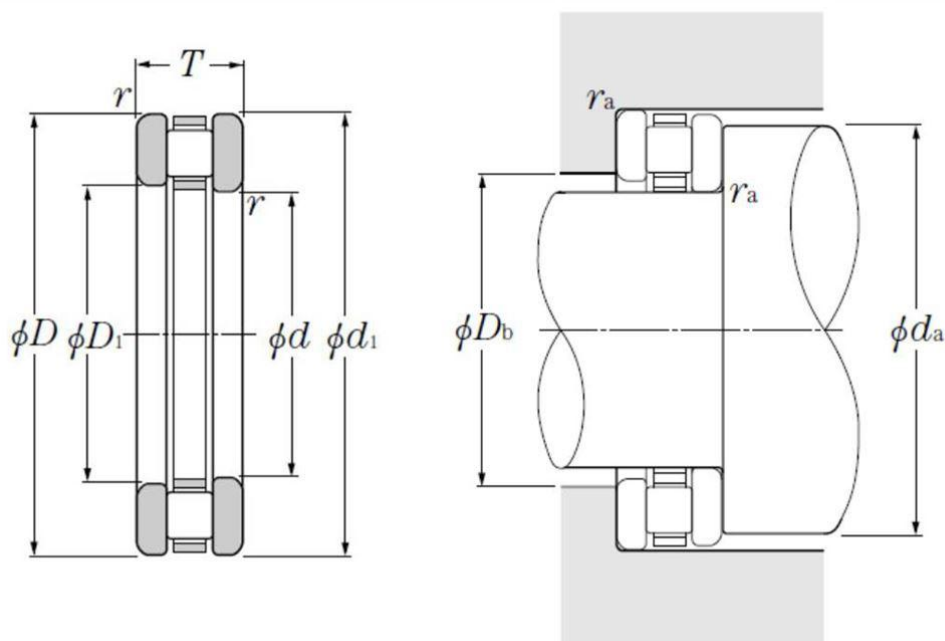
Technical data

81206

Complete thrust bearing

Needle roller bearing, thrust cylindrical roller bearing, 812 series

VISUAL (S)



PRODUCT DEFINITION

Brand	NTN
d - Bore diameter of support washer IR - WS	30 mm
D - Outside diameter of support washer OR - GS	52 mm
d1 - External diameter of support washer IR - WS	52 mm
D1 - Bore diameter bearing washer OR - GS	32 mm
T - Thrust bearing height	16 mm
Dw - Rolling element diameter	7,5 mm
Dc1 - Roller cage bore diameter	30 mm



NTN Europe

1 rue des Usines · BP 2017 · 74010 Annecy Cedex · France · Tel. +33 (0)4 50 65 30 00
 S.A. au capital de 322 639 919 € · RCS ANNECY B 325 821 072 · Id. Fiscale : FR 48 325 821 072
 SIRET 325 821 072 00015 · Code APE 2815 Z · Code NACE 28.15

PRODUCT DEFINITION	
Dc - Roller cage outer diameter	52 mm
B - Ring thickness	4,25 mm
rs - Min fillet radius	0,6 mm
Cage assembly reference	K81206
Bearing ring (inner ring) WS	WS81206
Bearing ring (outer ring) GS	GS81206
Ea - Rollers reference outer diameter	49 mm
Eb - Rollers reference inner diameter	32,8 mm
Mass	0,14 kg
Cage assembly mass	0,05 kg
Bearing ring (inner ring) WS mass	0,045 kg
Bearing ring (outer ring) GS mass	0,045 kg
Precision class	P0

PRODUCT PERFORMANCE	
Ca - Dynamic axial load rating	53000000 mN
C0a - Static axial load rating	129000000 mN
Cua - Limit axial load rating	15700000 mN
Nlim - Grease lubrication limit speed	9000 °/s
Nlim - Oil lubrication limit speed	36000 °/s
Tmin - Min operating temperature	253,15 °K
Tmax - Max operating temperature	393,15 °K

ABUTMENT	
da min - Min shoulder diameter IR	48 mm



81206

Complete thrust bearing

ABUTMENT

Db max - Max OR shoulder diameter	33 mm
ras max - Max shaft & housing fillet radius	0,6 mm



NTN Europe

1 rue des Usines · BP 2017 · 74010 Annecy Cedex · France · Tel. +33 (0)4 50 65 30 00
S.A. au capital de 322 639 919 € · RCS ANNECY B 325 821 072 · Id. Fiscale : FR 48 325 821 072
SIRET 325 821 072 00015 · Code APE 2815 Z · Code NACE 28.15