

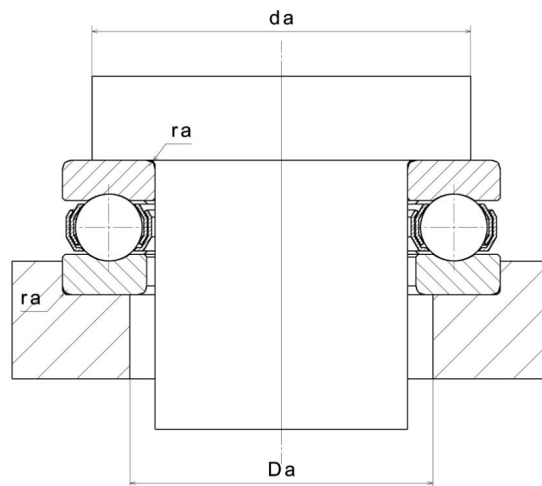
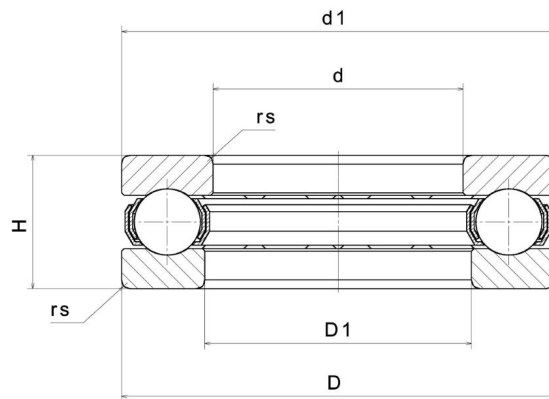


Technical data

51110

One direction thrust ball bearings

VISUAL (S)



PRODUCT DEFINITION

Brand	NTN
d - Internal diameter	50 mm
D - External diameter	70 mm
T - Thrust bearing height	14 mm
rs - Min fillet radius	0,6 mm
Mass	0,161 kg

PRODUCT PERFORMANCE

Ca - Dynamic axial load rating	28800000 mN
C0a - Static axial load rating	75500000 mN
Cua - Limit axial load rating	3400000 mN
Nlim - Oil lubrication limit speed	27000 °/s
Nlim - Grease lubrication limit speed	18600 °/s
Tmin - Min operating temperature	233,15 °K
Tmax - Max operating temperature	393,15 °K

ABUTMENT

Da max - Max shoulder diameter OR	58 mm
da min - Min shoulder diameter IR	62 mm

