



Brand of NTN corporation

Technical data

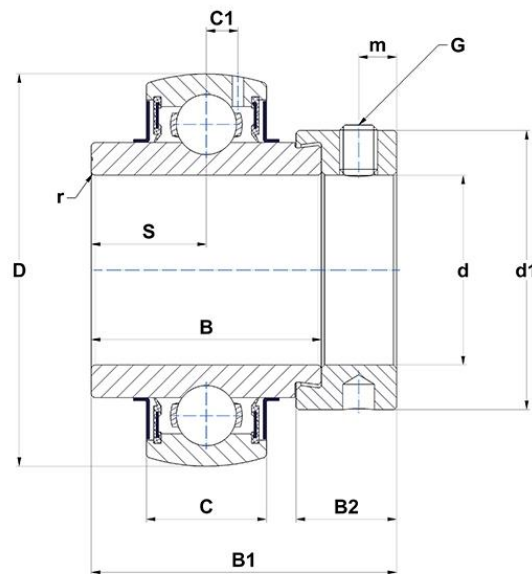
EX310-30G2T04

Insert bearings



Spherical outer diameter, fixing by eccentric locking collar, seal with slinger, for low-temp. applications

VISUAL (S)



PRODUCT DEFINITION

Brand	SNR
B - Width of Inner Ring	49,2 mm
B1 - Overall width Inner Ring	66,6 mm
B2 - Width of eccentric locking collar/nut	22,2 mm
C - Width of Outer Ring	32 mm
C1 - Distance center of OR to center of lubrication zone	9,9 mm
d - Shaft diameter	47,625 mm
d1 - Outer dia of eccent. Lock. collar / nut of adapter sleeve	76,2 mm



NTN Europe

1 rue des Usines · BP 2017 · 74010 Annecy Cedex · France · Tel. +33 (0)4 50 65 30 00
 S.A. au capital de 322 639 919 € · RCS ANNECY B 325 821 072 · Id. Fiscale : FR 48 325 821 072
 SIRET 325 821 072 00015 · Code APE 2815 Z · Code NACE 28.15

PRODUCT DEFINITION

D - Outer diameter of OR	110 mm
G - Set screw size	3/8-24UNF
m - Distance to set screw	8,7 mm
r - Radius Inner Ring	2
S - Distance front side/bearing centre	24,6 mm
f0 - Factor	13
SW - Wrench size	4,763 mm

PRODUCT PERFORMANCE

C - Dynamic load rating	62000000 mN
C0 - Static load rating	37800000 mN
Operating temperature min.	233,15 °K
Operating temperature max.	373,15 °K

OTHER FEATURES

Mass	1,93 kg
Recommended tightening torque for set screw	16.8 N-m

BEARING FREQUENCIES

BPFO - Characteristic outer ring frequency (60 rpm)	3.05341614906832 Hz
BPFI - Characteristic inner ring frequency (60 rpm)	4.94658385093168 Hz
FTF - Characteristic cage frequency (60 rpm)	0.38167701863354 Hz
BSF - Characteristic rolling element frequency (60 rpm)	3.98907582204398 Hz

