



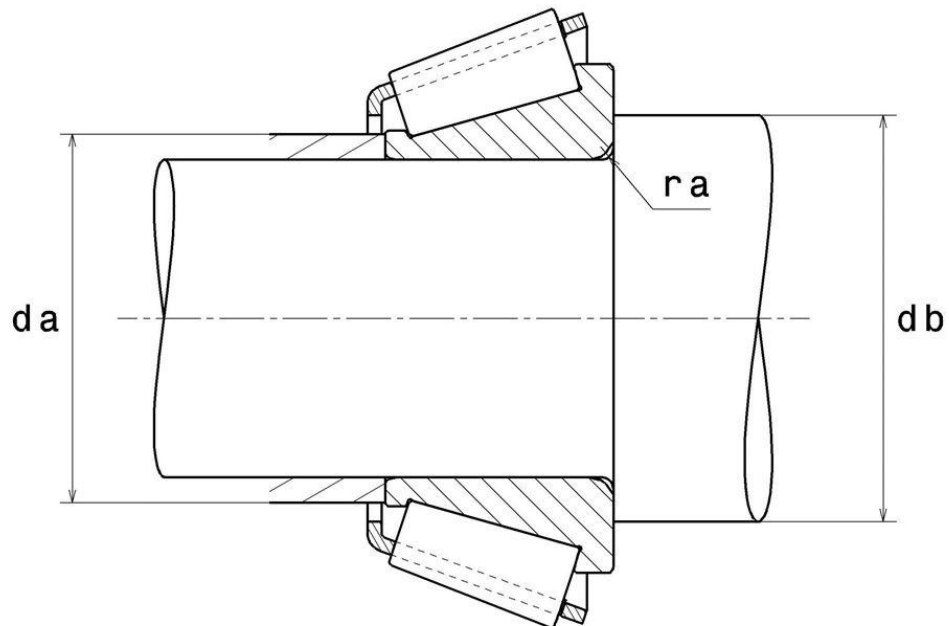
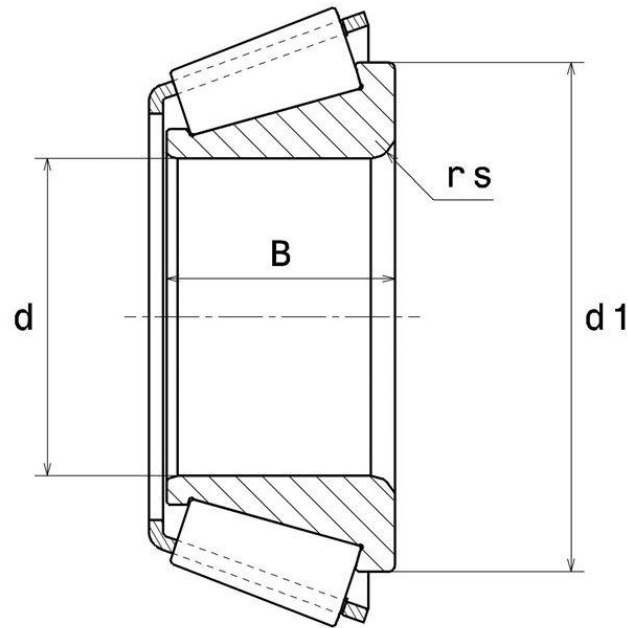
Technical data

4T-31593

Single row tapered roller bearings

Mounted cone, pressed steel cage

VISUAL (S)



4T-31593

Single row tapered roller bearings

PRODUCT DEFINITION

Brand	NTN
d - Internal diameter	34,925 mm
B - Bearing/Inner ring width	28,575 mm
d1 - External diameter inner ring	56,2 mm

PRODUCT PERFORMANCE

C - Dynamic load	89500000 mN
C0 - Static load	97000000 mN
A2 - Rating life coefficient	1
e - Coefficient	0.4
Y0 - Static axial load coefficient	0.82
Y2 - Upper axial load coefficient	1.49

ABUTMENT

da max - Max shoulder diameter IR	43,5 mm
db min - Min IR shoulder diameter	50 mm
ra max - Max fillet radius	3,5 mm



NTN Europe

1 rue des Usines · BP 2017 · 74010 Annecy Cedex · France · Tel. +33 (0)4 50 65 30 00
S.A. au capital de 322 639 919 € · RCS ANNECY B 325 821 072 · Id. Fiscale : FR 48 325 821 072
SIRET 325 821 072 00015 · Code APE 2815 Z · Code NACE 28.15

INDUSTRY CALCUL FACTORS

Equivalent dynamic radial load

$$P = X \cdot Fr + Y \cdot Fa$$

Fa / Fr ≤ e		Fa / Fr > e	
X	Y	X	Y
1	0	0.4	Y2

Equivalent static radial load

$$Po = Xo \cdot Fr + Yo \cdot Fa$$

Xo	Yo
0.5	Yo

If $Po \leq Fr$, then use $Po = Fr$

The values for e, Y2 and Yo are shown in the above table

