



Brand of NTN corporation

## Technical data

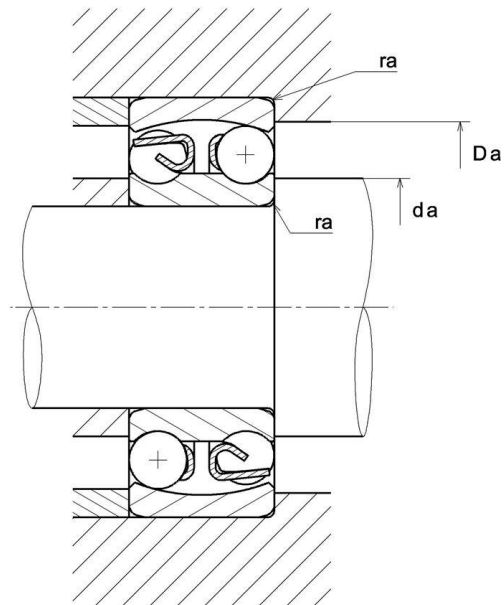
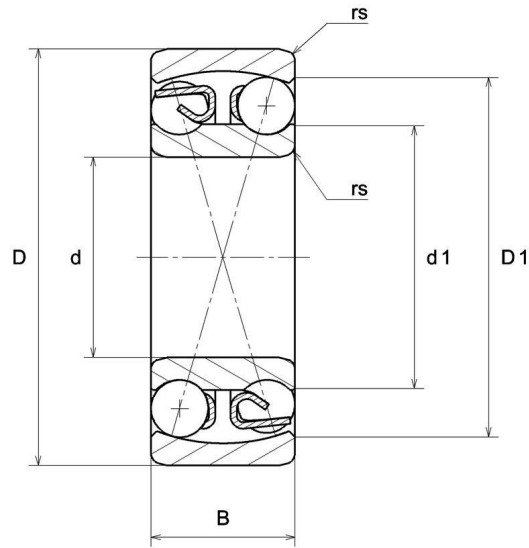
# 2216

Double-row self-aligning ball bearings



Self-aligning ball bearing, pressed steel cage, open

### VISUAL (S)



**NTN Europe**

1 rue des Usines · BP 2017 · 74010 Annecy Cedex · France · Tel. +33 (0)4 50 65 30 00  
S.A. au capital de 322 639 919 € · RCS ANNECY B 325 821 072 · Id. Fiscale : FR 48 325 821 072  
SIRET 325 821 072 00015 · Code APE 2815 Z · Code NACE 28.15

## PRODUCT DEFINITION

|  |          |
|--|----------|
| <b>Brand</b>                             | SNR      |
| <b>d - Internal diameter</b>             | 80 mm    |
| <b>D - External diameter</b>             | 140 mm   |
| <b>B - Bearing/Inner ring width</b>      | 33 mm    |
| <b>d1 - External diameter inner ring</b> | 99 mm    |
| <b>D1 - Inner diameter outer ring</b>    | 120,8 mm |
| <b>rs - Min fillet radius</b>            | 2 mm     |
| <b>Radial clearance class</b>            | CN       |
| <b>Precision class</b>                   | P0       |
| <b>Mass</b>                              | 2,1 kg   |

## PRODUCT PERFORMANCE

|   |             |
|---|-------------|
| <b>C - Dynamic load</b>                   | 48500000 mN |
| <b>C0 - Static load</b>                   | 19900000 mN |
| <b>Cu - Fatigue limit load</b>            | 860000 mN   |
| <b>e - Coefficient</b>                    | 0.25        |
| <b>Y0 - Static axial load coefficient</b> | 2.61        |
| <b>Y1 - Lower axial load coefficient</b>  | 2.49        |
| <b>Y2 - Upper axial load coefficient</b>  | 3.86        |
| <b>Nref - Reference thermal speed</b>     | 32400 °/s   |
| <b>Nlim - Mechanical Limit Speed</b>      | 35400 °/s   |
| <b>Tmin - Min operating temperature</b>   | 233,15 °K   |
| <b>Tmax - Max operating temperature</b>   | 393,15 °K   |



## BEARING FREQUENCIES

|  |           |
|--|-----------|
| <b>BPFO - Characteristic outer ring frequency (60 rpm)</b>     | 8.712 Hz  |
| <b>BPFI - Characteristic inner ring frequency (60 rpm)</b>     | 11.288 Hz |
| <b>FTF - Characteristic cage frequency (60 rpm)</b>            | 0.436 Hz  |
| <b>BSF - Characteristic rolling element frequency (60 rpm)</b> | 7.526 Hz  |

## ABUTMENT

|   |        |
|---|--------|
| <b>da min - Min shoulder diameter IR</b>              | 89 mm  |
| <b>Da max - Max shoulder diameter OR</b>              | 131 mm |
| <b>ra max - Max shaft &amp; housing fillet radius</b> | 2 mm   |

