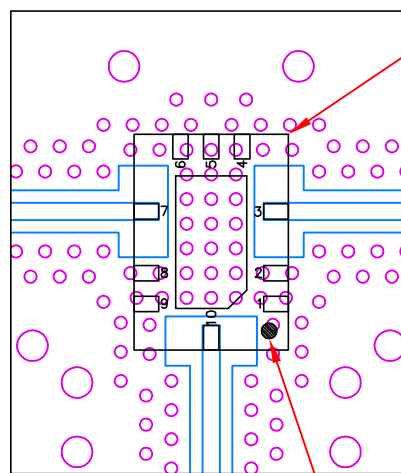
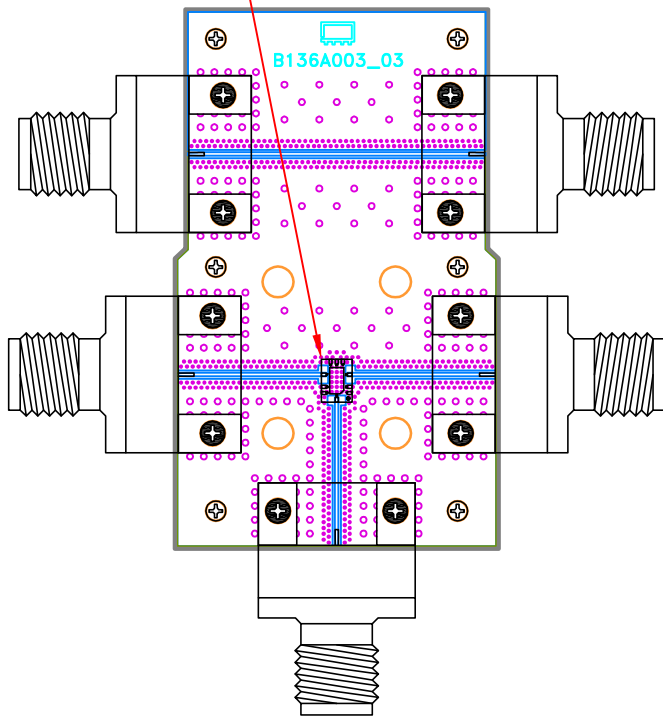


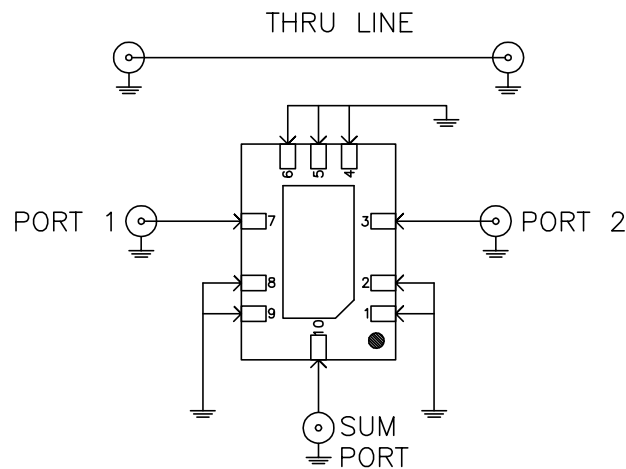
Evaluation Board and Circuit

SEE DETAIL "A"



DETAIL "A"

LOCATION OF INTERCONNECTOR
AND UNITS COMPONENTS
(SCALE 5:1)

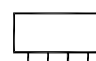


SCHEMATIC DIAGRAM

Function	Pad
SUM PORT	10
PORT 1	7
PORT 2	3
GND	1,2,4,5,6,8,9

Notes:

- 2.4mm Female Connectors.
- PCB Material: Roger R04350B or equivalent,
Dielectric constant=3.5, Thickness=0.0066 inch

 **Mini-Circuits®**