

# Frequency Mixer

## RMS-25MH+

Level 13 (LO Power +13 dBm) 5 to 2500 MHz



Generic photo used for illustration purposes only

CASE STYLE: TT240

**+RoHS Compliant**

The +Suffix identifies RoHS Compliance. See our web site for RoHS Compliance methodologies and qualifications

### Maximum Ratings

Operating Temperature	-40°C to 85°C
Storage Temperature	-55°C to 100°C
RF Power	200mW
IF Current	40mA
Permanent damage may occur if any of these limits are exceeded.	

### Pin Connections

LO	1
RF	4
IF	5
GROUND	2,3,6

### Features

- excellent L-R isolation, 32 dB typ.
- conversion loss, 7.0 dB typ.
- small size, 0.25"x0.31"x0.2"

### Applications

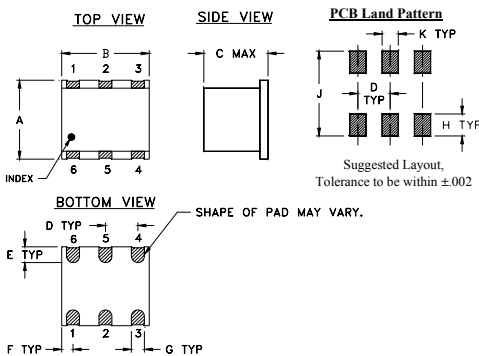
- cellular
- satellite distribution
- GPS

### Electrical Specifications

FREQUENCY (MHz)	CONVERSION LOSS (dB)				LO-RF ISOLATION (dB)						LO-IF ISOLATION (dB)						IP3 at center band (dBm)	
	LO/RF	IF			L		M		U		L		M		U			
$f_L$ - $f_U$	$\bar{X}$	$\sigma$	Max.	Total Range Max.	Typ.	Min.	Typ.	Min.	Typ.	Min.	Typ.	Min.	Typ.	Min.	Typ.	Min.		
5-2500	5-1500	7.0	.20	8.5	9.8	54	28	32	23	32	20	34	23	32	25	28	17	17

1 dB COMP.: +9 dBm typ. L = low range [ $f_L$  to  $10 f_L$ ] M = mid range [ $10 f_L$  to  $f_U/2$ ] U = upper range [ $f_U/2$  to  $f_U$ ]  
m = mid band [ $2 f_L$  to  $f_U/2$ ]

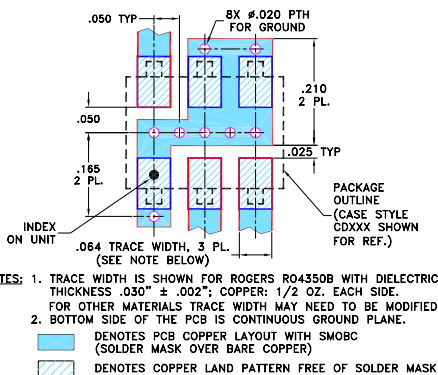
### Outline Drawing



### Outline Dimensions (inch/mm)

A	B	C	D	E	F
.250	.31	.20	.100	.050	.055
6.35	7.87	5.08	2.54	1.27	1.40
G	H	J	K	wt	
.040	.070	.270	.050	grams	
1.02	1.78	6.86	1.27	0.50	

Demo Board MCL P/N: TB-03  
Suggested PCB Layout (PL-052)



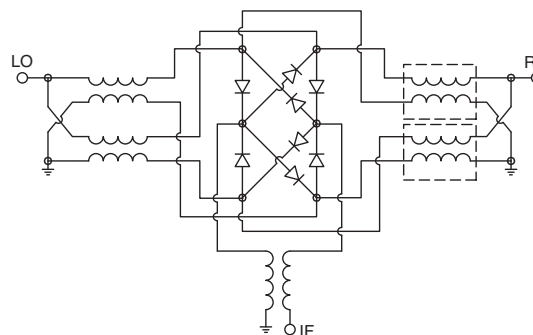
### Notes

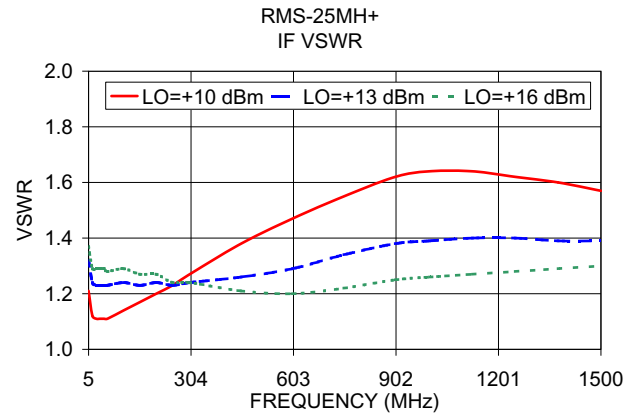
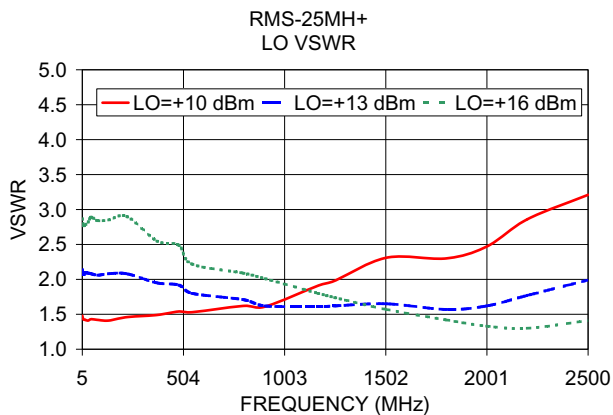
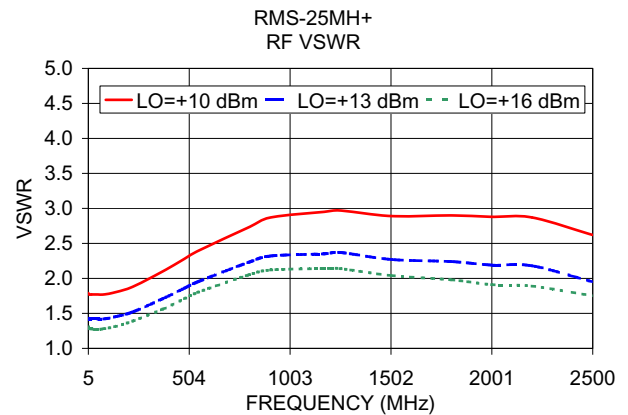
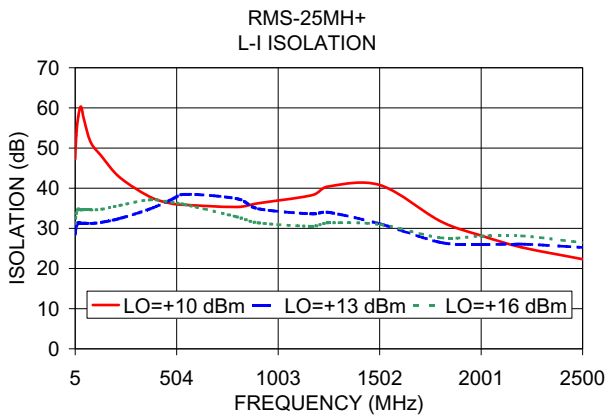
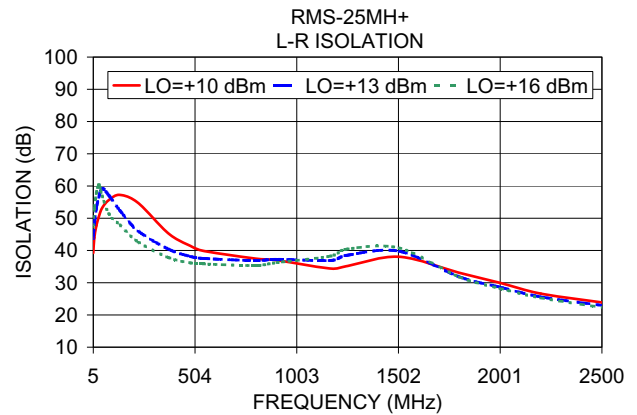
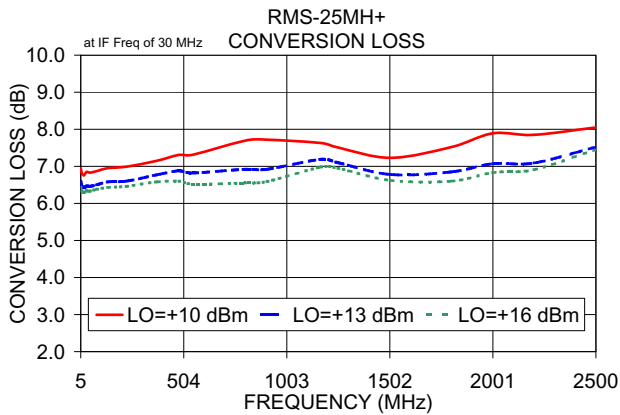
- Performance and quality attributes and conditions not expressly stated in this specification document are intended to be excluded and do not form a part of this specification document.
- Electrical specifications and performance data contained in this specification document are based on Mini-Circuit's applicable established test performance criteria and measurement instructions.
- The parts covered by this specification document are subject to Mini-Circuits standard limited warranty and terms and conditions (collectively, "Standard Terms"); Purchasers of this part are entitled to the rights and benefits contained therein. For a full statement of the Standard Terms and the exclusive rights and remedies thereunder, please visit Mini-Circuits' website at [www.minicircuits.com/MCLStore/terms.jsp](http://www.minicircuits.com/MCLStore/terms.jsp)

### Typical Performance Data

Frequency (MHz)		Conversion Loss (dB)	Isolation L-R (dB)	Isolation L-I (dB)	VSWR RF Port (:1)	VSWR LO Port (:1)
RF	LO	LO +13 dBm	LO +13 dBm	LO +13 dBm	LO +13 dBm	LO +13 dBm
5.00	35.00	6.60	43.66	31.16	1.43	2.14
10.10	40.10	6.47	48.02	33.66	1.42	2.07
20.18	50.18	6.42	53.20	34.80	1.42	2.09
33.51	63.51	6.47	56.82	34.60	1.42	2.09
49.03	79.03	6.46	59.20	34.63	1.42	2.08
81.42	111.42	6.50	57.10	34.59	1.42	2.06
135.23	165.23	6.58	52.43	34.78	1.45	2.08
224.60	194.60	6.60	46.08	35.72	1.52	2.08
373.01	343.01	6.77	40.43	37.11	1.71	1.95
480.71	450.71	6.88	38.16	36.46	1.86	1.92
545.72	515.72	6.82	37.54	35.91	1.95	1.80
798.38	768.38	6.92	36.87	32.89	2.23	1.71
906.34	876.34	6.92	37.27	31.38	2.32	1.62
1168.03	1138.03	7.19	36.90	30.53	2.35	1.61
1250.00	1220.00	7.10	38.52	31.35	2.37	1.62
1505.28	1475.28	6.78	39.76	30.96	2.27	1.65
1800.00	1770.00	6.85	31.84	27.67	2.24	1.57
2000.00	1970.00	7.07	28.62	28.09	2.19	1.62
2200.00	2170.00	7.09	25.62	28.13	2.18	1.77
2500.00	2470.00	7.52	22.96	26.44	1.95	1.99

### Electrical Schematic





**Notes**

- A. Performance and quality attributes and conditions not expressly stated in this specification document are intended to be excluded and do not form a part of this specification document.
- B. Electrical specifications and performance data contained in this specification document are based on Mini-Circuit's applicable established test performance criteria and measurement instructions.
- C. The parts covered by this specification document are subject to Mini-Circuits standard limited warranty and terms and conditions (collectively, "Standard Terms"); Purchasers of this part are entitled to the rights and benefits contained therein. For a full statement of the Standard Terms and the exclusive rights and remedies thereunder, please visit Mini-Circuits' website at [www.minicircuits.com/MCLStore/terms.jsp](http://www.minicircuits.com/MCLStore/terms.jsp)

