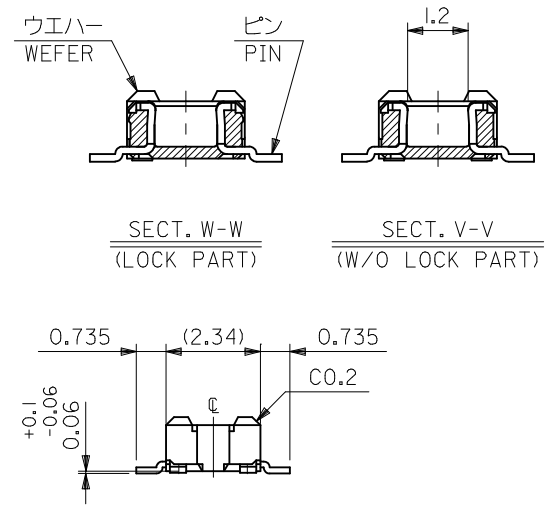
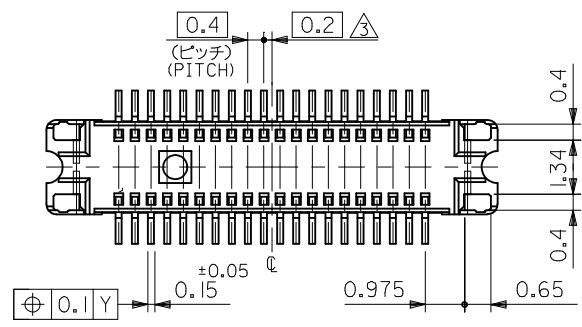


POSITION LOCK 123 --- --- N=2N+1N

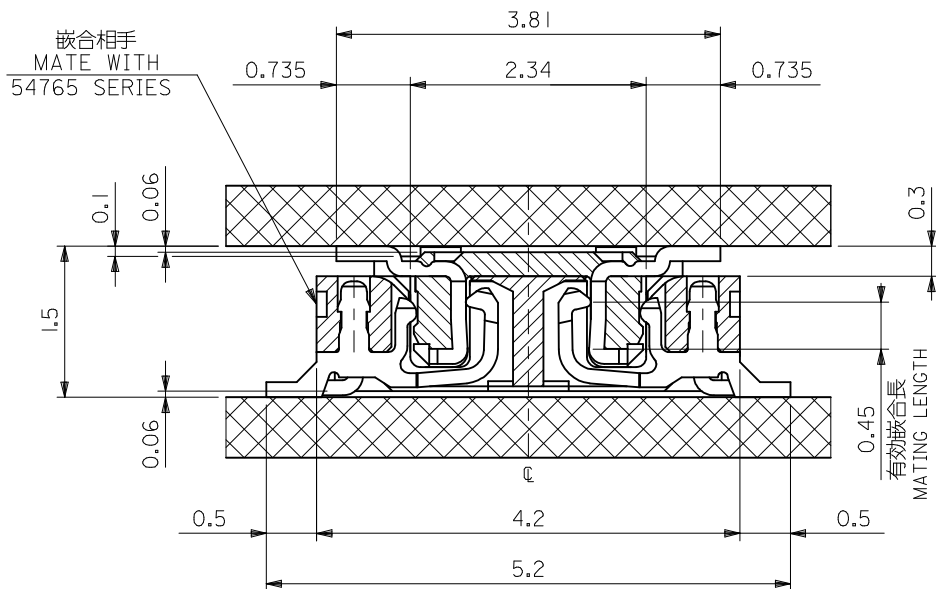


注記 NOTES

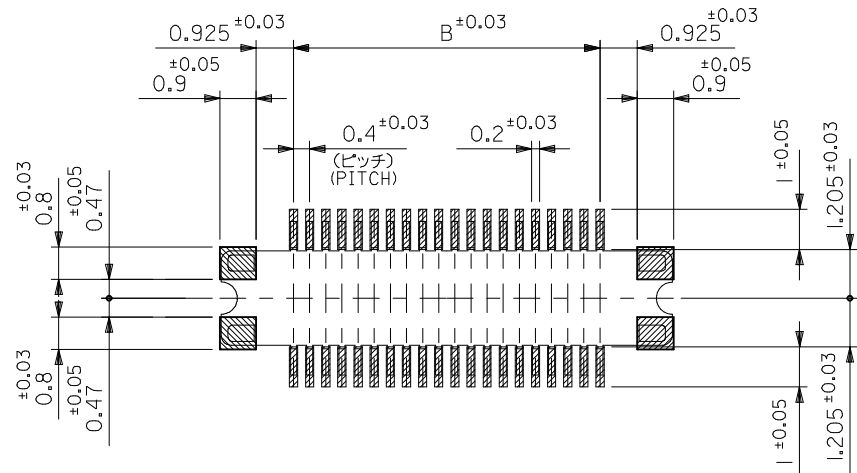
1. 使用材料 MATERIAL
 ウエハー: 液晶ポリマー ガラス充填 UL94V-0 (黒)
 WAFER: LIQUID CRYSTAL POLYMER (GLASS FILLED)
 UL94V-0 (COLOR: BLACK)
 ピン: 黄銅 (t=0.15)
 PIN: BRASS (t=0.15)
 金具: リン青銅 (t=0.15)
 FITTING NAIL: PHOSPHOR BRONZE (t=0.15)
 2. メッキ仕様 PLATING
 ピン PIN
 金メッキ 0.25マイクロメートル以上 (コンタクト部)
 GOLD 0.25MICROMETER MINIMUM (CONTACT AREA)
 金メッキ 0.4マイクロメートル以下 (テール部)
 GOLD 0.4MICROMETER MAXIMUM (TAIL AREA)
 下地メッキ: ニッケルメッキ 1.5マイクロメートル以上
 UNDER PLATING: NICKEL 1.5MICROMETER MINIMUM
 金具 FITTING NAIL
 半田メッキ 3.0マイクロメートル以上
 Sn-Pb 3.0MICROMETER MINIMUM
 下地メッキ: 銅メッキ 1.0マイクロメートル以上
 UNDER PLATING: Cu 1.0MICROMETER MINIMUM
- △ (全極数/2) = 偶数の場合に適用。
 APPLY FOR (CIRCUIT/2)=EVEN
4. 嵌合相手: 54765 シリーズ
 MATE WITH : 54765 SERIES.
 5. テール平坦度は、0.08以下
 テール及び金具の平坦度は、0.1以下
 TAIL COPLANARITY TO BE 0.08MAXIMUM.
 TAIL AND FITTING NAIL
 COPLANARITY TO BE 0.1 MAXIMUM.
- △ 24極のみ、MXJトレードマークの向きが逆となる。
 FOR 24 CIRCUIT, MXJ TRADE MARK IS REVERSED.

NONE	15.6	19.19	55604-0805	80
	13.6	17.19	55604-0705	70
6,7,8,9,10,11,12,13,14,15,16,17	8.4	11.99	55604-0445	44
2,4,6,7,8,9,10,11,12,13,14,15,17,19	7.6	11.19	55604-0405	40
ALL	4.4	7.99	55604-0245	24
	4.0	7.59	55604-0225	22
LOCK POSITION	B	A	MATERIAL NO.	Ck+

REVISED EC NO: J2009-0228 DRWN: YOSHIDAM 2008/08/07 CHKD: THARUYAMA 2008/08/07 APPR: NUKITA 2008/12/17	GENERAL TOLERANCES (UNLESS SPECIFIED)		DIMENSION STYLE MM ONLY		SCALE ---		DESIGN UNITS METRIC		THIRD ANGLE PROJECTION	
	10 UNDER	±0.2	DRAWN BY R. TAKEUCHI	DATE '01/01/15	TITLE 0.4 B-TO-B PLUG 0/M W/GDE W/O BOSS HGT=1.5					
	10 OVER 30 UNDER	±0.25	CHECKED BY T. ITO	DATE '02/10/28	MOLEX INCORPORATED					
	30 OVER	±0.3	APPROVED BY T. YAMAGUCHI	DATE '02/10/28	DOCUMENT NO. SD-55604-008					
	ANGULAR ±3 °	DRAFT WHERE APPLICABLE MUST REMAIN WITHIN DIMENSIONS		MATERIAL NO. SEE TABLE		SHEET NO. 1 OF 2				
				SIZE A3		THIS DRAWING CONTAINS INFORMATION THAT IS PROPRIETARY TO MOLEX INCORPORATED AND SHOULD NOT BE USED WITHOUT WRITTEN PERMISSION				

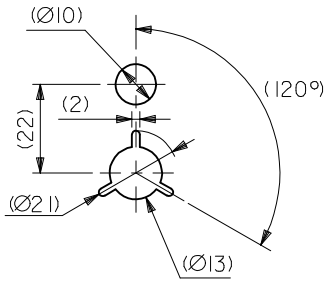
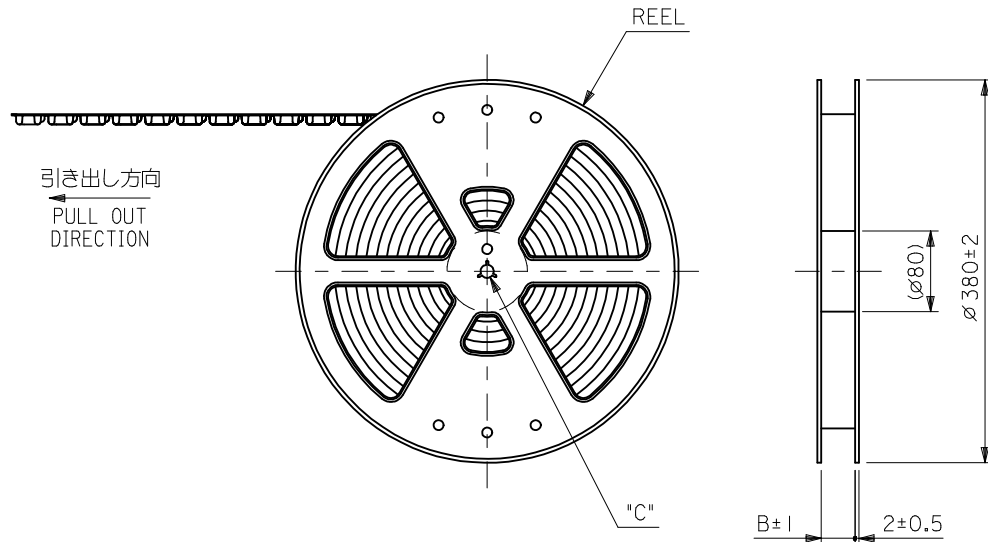


嵌合断面図 (参考)
MATED DRAWING (REFERENCE)



参考基板レイアウト (マウント面)
P.C.BOARD PATTERN DIMENSION (REFERENCE)
(MOUNTING AREA)

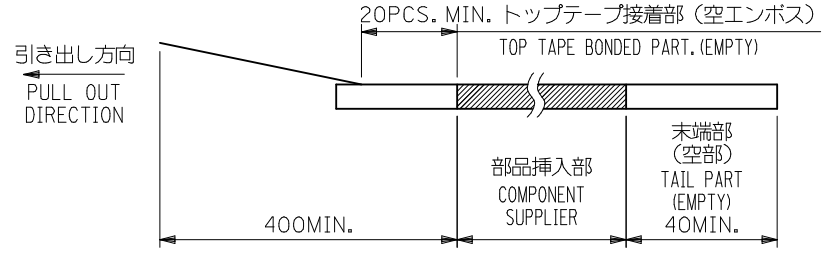
REVISED EC NO: J2009-0228 DRWN: YOSHIDAM 2008/08/07 CHKD: THARUYAMA 2008/08/07 APPR: NUKITA 2008/12/17	GENERAL TOLERANCES (UNLESS SPECIFIED)		DIMENSION STYLE MM ONLY	SCALE ---	DESIGN UNITS METRIC	MODEL NO. 55604-***5	THIRD ANGLE PROJECTION
	10 UNDER	± ---	DRAWN BY R. TAKEUCHI	DATE '01/01/15	TITLE 0.4 B-TO-B PLUG 0/M W/GDE W/O BOSS HGT=1.5		
	10 OVER 30 UNDER	± ---	CHECKED BY T. ITO	DATE '02/10/28	MOLEX INCORPORATED		
	30 OVER	± ---	APPROVED BY T. YAMAGUCHI	DATE '02/10/28	DOCUMENT NO. SD-55604-008	SHEET NO. 2 OF 2	
DESCRIPTION	ANGULAR ± --- °	MATERIAL NO. SEE TABLE		THIS DRAWING CONTAINS INFORMATION THAT IS PROPRIETARY TO MOLEX INCORPORATED AND SHOULD NOT BE USED WITHOUT WRITTEN PERMISSION			
REVISION	DRAFT WHERE APPLICABLE MUST REMAIN WITHIN DIMENSIONS		SIZE A3				



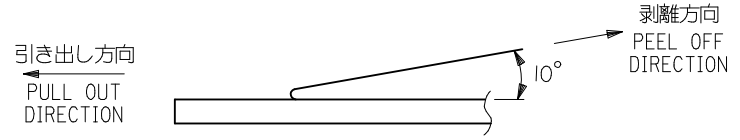
DETAIL "C"

注記 NOTES

- 製品詳細寸法については図面 SD-55604-008を参照下さい。
RE DETAILED DIMENSION, SEE SD-55604-008
- 梱包数量：2500個/リール
NUMBER OF CONNECTORS : 2500PCS/REEL
- リードテープ長さ LEAD TAPE LENGTH

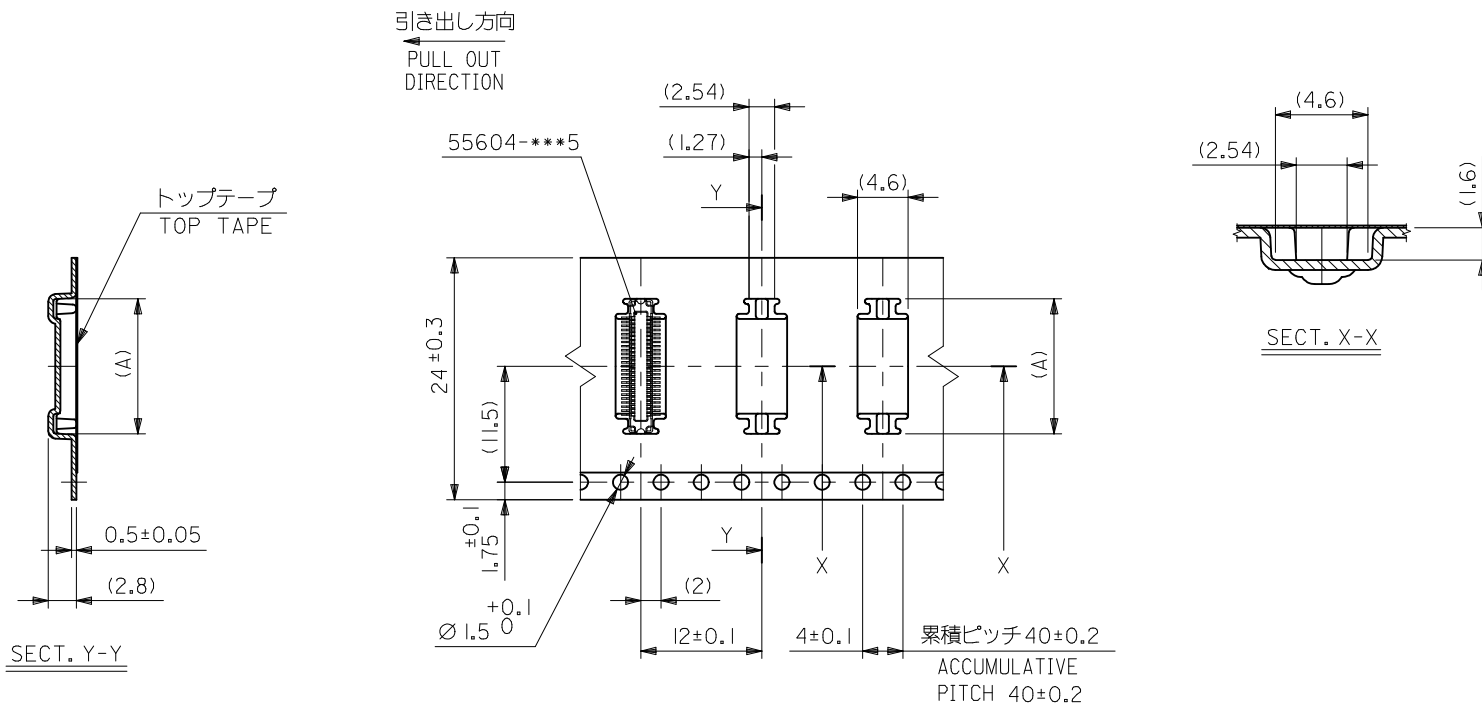


- トップテープの剥離強度：0.1N ~ 0.7N(10.2gf ~ 71.4gf)
(剥離方向は下図参照)
尚、本規格値は出荷時に適用。(但し、輸送時に剥離が発生しないこと。)
PEELING OFF FORCE OF TOP TAPE : 0.1N ~ 0.7N(10.2gf ~ 71.4gf)
(PEELING DIRECTION AS SHOWN IN FOLLOWING FIG.)
THIS REQUIREMENT SHOULD BE APPLIED AT SHIPMENT.
PEEL OFF SHOULD NOT BE ALLOWED , DURING TRANSPORTATION.



- 材料 MATERIAL
キャリアテープ (CARRIER TAPE) : ポリプロピレン (POLYPROPYLENE)
トップテープ (TOPTAPE) : PET , PE , PEF
リール (REEL) : ポリスチレン (PS) <リサイクル材を含む>
POLYSTYRENE (PS) <RECYCLE MATERIAL CONTAINED>

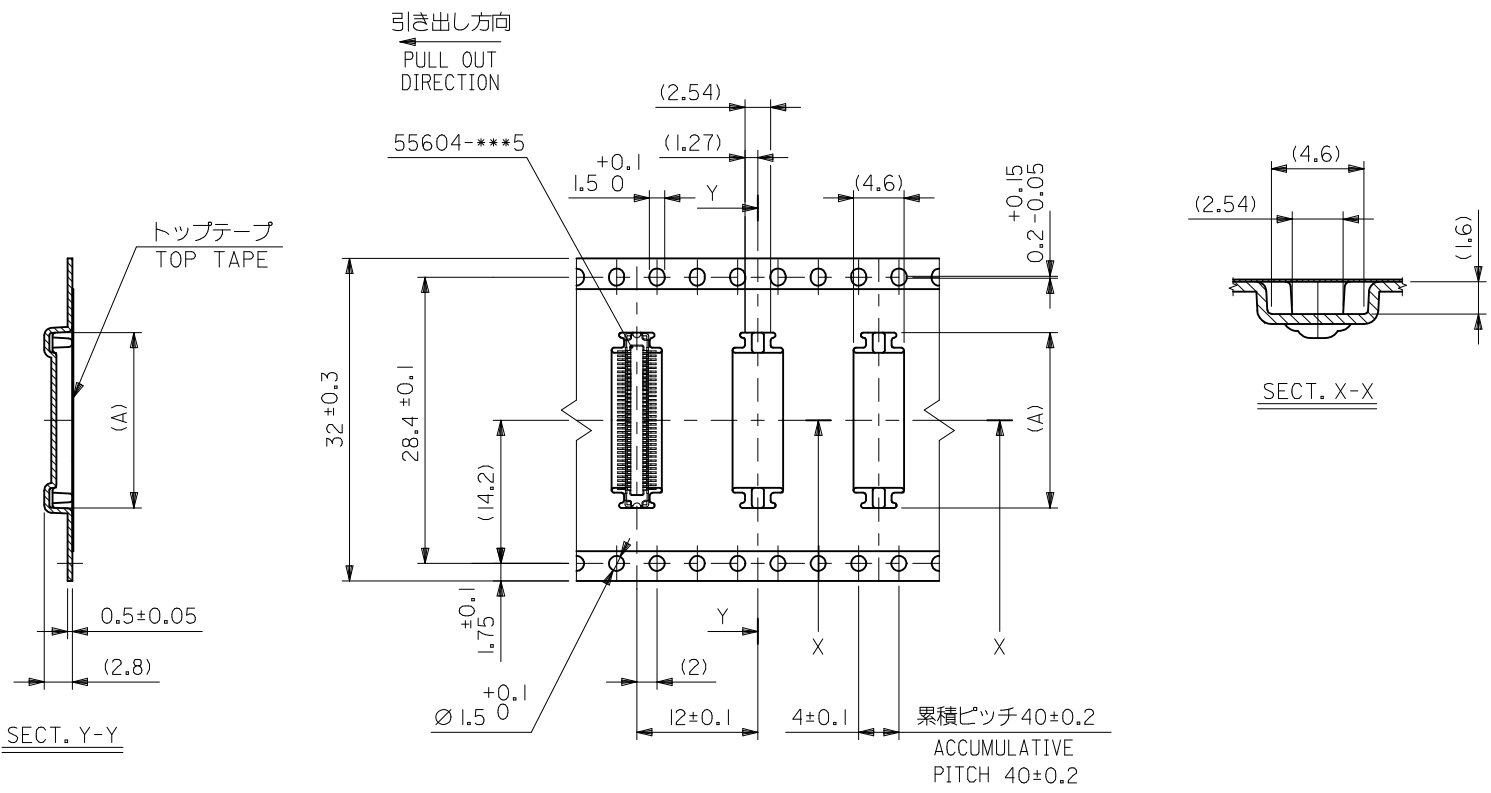
REVISED EC NO: J2009-0228 DRWN: YOSHIDAM 2008/08/07 CHKD: THARUYAMA 2008/08/07 APPR: NUKITA 2008/12/17	GENERAL TOLERANCES (UNLESS SPECIFIED)		DIMENSION STYLE MM ONLY	SCALE ---	MODEL NO. 55604-***6
	10 UNDER	±0.2	DRAWN BY R. TAKEUCHI	DATE '01/01/15	DESIGN UNITS METRIC
	10 OVER 30 UNDER	±0.25	CHECKED BY T. ITO	DATE '02/07/01	THIRD ANGLE PROJECTION
	30 OVER	±0.3	APPROVED BY T. YAMAGUCHI	DATE '02/07/01	TITLE 0.4 B-T-O-B PLUG 0/M W/GDE HGT=1.5 EMBSTP PKG
REV	DESCRIPTION	ANGULAR ±3 °	MATERIAL NO. SEE TABLE	DOCUMENT NO. SD-55604-009	SHEET NO. 1 OF 3
DRAFT WHERE APPLICABLE MUST REMAIN WITHIN DIMENSIONS		THIS DRAWING CONTAINS INFORMATION THAT IS PROPRIETARY TO MOLEX INCORPORATED AND SHOULD NOT BE USED WITHOUT WRITTEN PERMISSION			



24mm幅キャリアテープ
24mm WIDTH CARRIER TAPE

24	25.5	13.39	55604-0506	50
キャリアテープ幅 CARRIER TAPE WIDTH	B	(A)	MATERIAL NO.	極数 CKT
MODEL NO. 55604-***6				

REVISED EC NO: J2009-0228 DRWN: YOSHIDAM 2008/08/07 CHKD: THARUYAMA 2008/08/07 APPR: NUKITA 2008/12/17	GENERAL TOLERANCES (UNLESS SPECIFIED)		DIMENSION STYLE MM ONLY		SCALE ---	DESIGN UNITS METRIC	THIRD ANGLE PROJECTION
	10 UNDER	±0.2	DRAWN BY R. TAKEUCHI	DATE '01/01/15	TITLE 0.4 B-T0-B PLUG 0/M W/GDE HGT=1.5 EMBSTP PKG		
	10 OVER 30 UNDER	±0.25	CHECKED BY T. ITO	DATE '02/07/01	MOLEX INCORPORATED		
	30 OVER	±0.3	APPROVED BY T. YAMAGUCHI	DATE '02/07/01	DOCUMENT NO. SD-55604-009		
ANGULAR ±3 °		MATERIAL NO. SEE TABLE		SHEET NO. 2 OF 3			
DRAFT WHERE APPLICABLE MUST REMAIN WITHIN DIMENSIONS		THIS DRAWING CONTAINS INFORMATION THAT IS PROPRIETARY TO MOLEX INCORPORATED AND SHOULD NOT BE USED WITHOUT WRITTEN PERMISSION					



32mm幅キャリアテープ
32mm WIDTH CARRIER TAPE

32	33.5	19.39	55604-0806	80
		17.39	55604-0706	70
キャリアテープ幅 CARRIER TAPE WIDTH	B	(A)	MATERIAL NO.	極数 CKT
MODEL NO. 55604-***6				

REVISED EC NO: J2009-0228 DRWN: YOSHIDAM 2008/08/07 CHKD: THARUYAMA 2008/08/07 APPR: NUKITA 2008/12/17	GENERAL TOLERANCES (UNLESS SPECIFIED)		DIMENSION STYLE MM ONLY		SCALE ---	DESIGN UNITS METRIC	THIRD ANGLE PROJECTION
	10 UNDER	±0.2	DRAWN BY T. TSUBOI	DATE '01/07/23	TITLE 0.4 B-T-O-B PLUG ASSY W/GDE (HGT=1.5) EMBSTP PKG		
	10 OVER 30 UNDER	±0.25	CHECKED BY T. ITO	DATE '02/07/01	MOLEX INCORPORATED		
	30 OVER	±0.3	APPROVED BY T. YAMAGUCHI	DATE '02/07/01	DOCUMENT NO. SD-55604-009		
	ANGULAR ±3 °	DRAFT WHERE APPLICABLE MUST REMAIN WITHIN DIMENSIONS		SEE TABLE		SHEET NO. 3 OF 3	
		THIS DRAWING CONTAINS INFORMATION THAT IS PROPRIETARY TO MOLEX INCORPORATED AND SHOULD NOT BE USED WITHOUT WRITTEN PERMISSION					