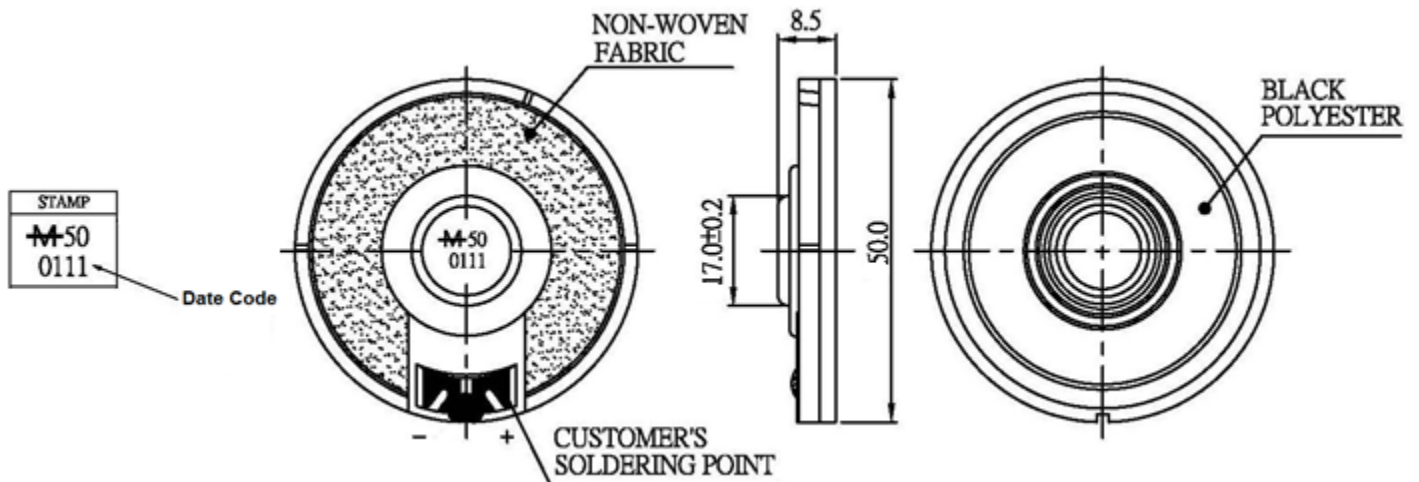


Sales Outline DrawingRevision **A****Specifications:**

| | |
|------------------------|--|
| Impedance (Ω) | $25 \pm 15\%$ at 1000 Hz at 1.0 V |
| Rated Power (W) | 0.2 |
| Max Power (W) | 0.5 |
| Frequency Range (Hz) | Fo ~ 12000 |
| Resonance Freq Fo (Hz) | $350 \pm 20\%$ at 1.0V |
| Output S.P.L. (dB) | 92 ± 3 at 0.2w/1m 1.0k, 1.2k, 1.5k, 2.0kHz 79 ± 3 at 1w/1m 1.0k, 1.2k, 1.5k, 2.0kHz |
| Magnet | Nd-Fe-B |
| Frame Material | ABS (Black) |
| Operating Temp | -20 to 50°C |
| Weight (g) | 11.0 |
| Options | For other options contact factory |

Dimensions: ± 0.5 (units: mm)**ROHS Compliant**

Mouser Electronics

Authorized Distributor

Click to View Pricing, Inventory, Delivery & Lifecycle Information:

[Mallory Sonalert:](#)

[PSR50F25SK](#)