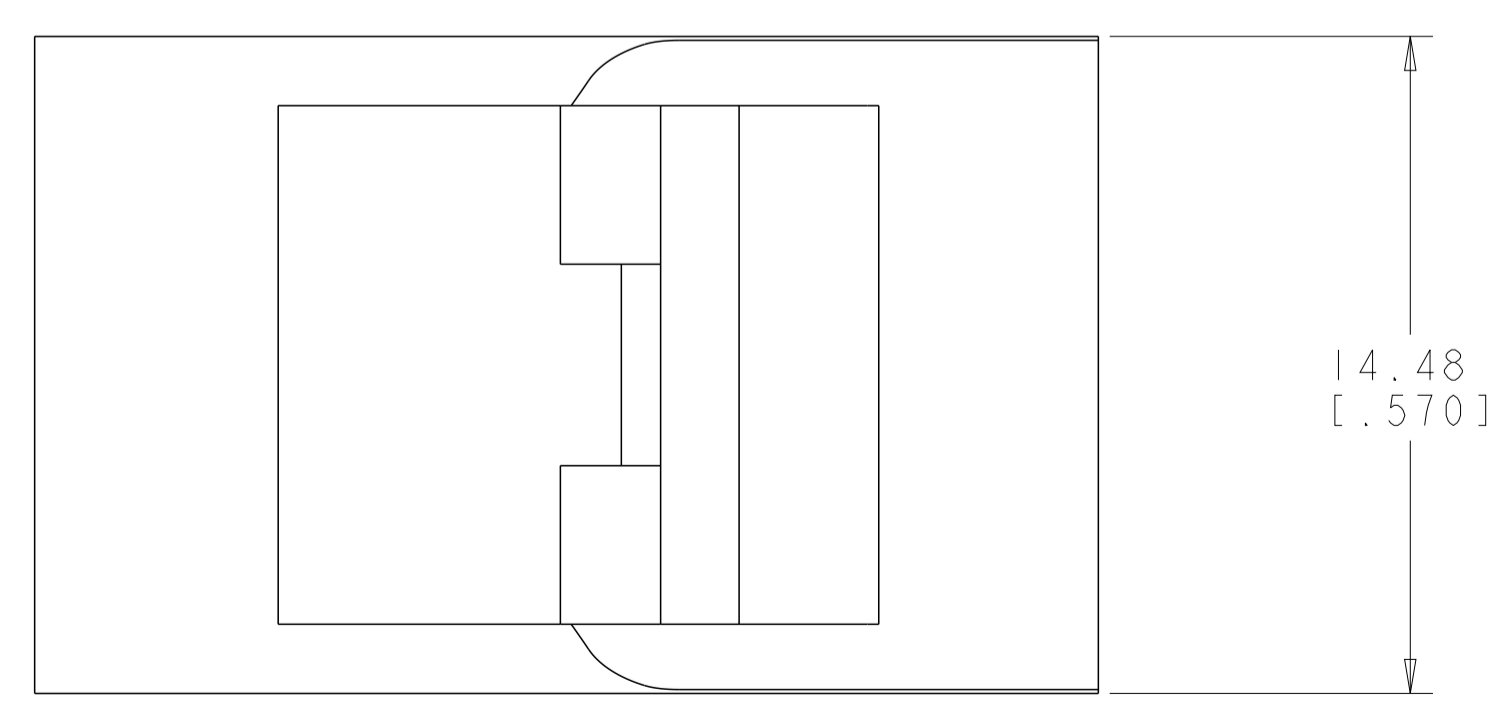
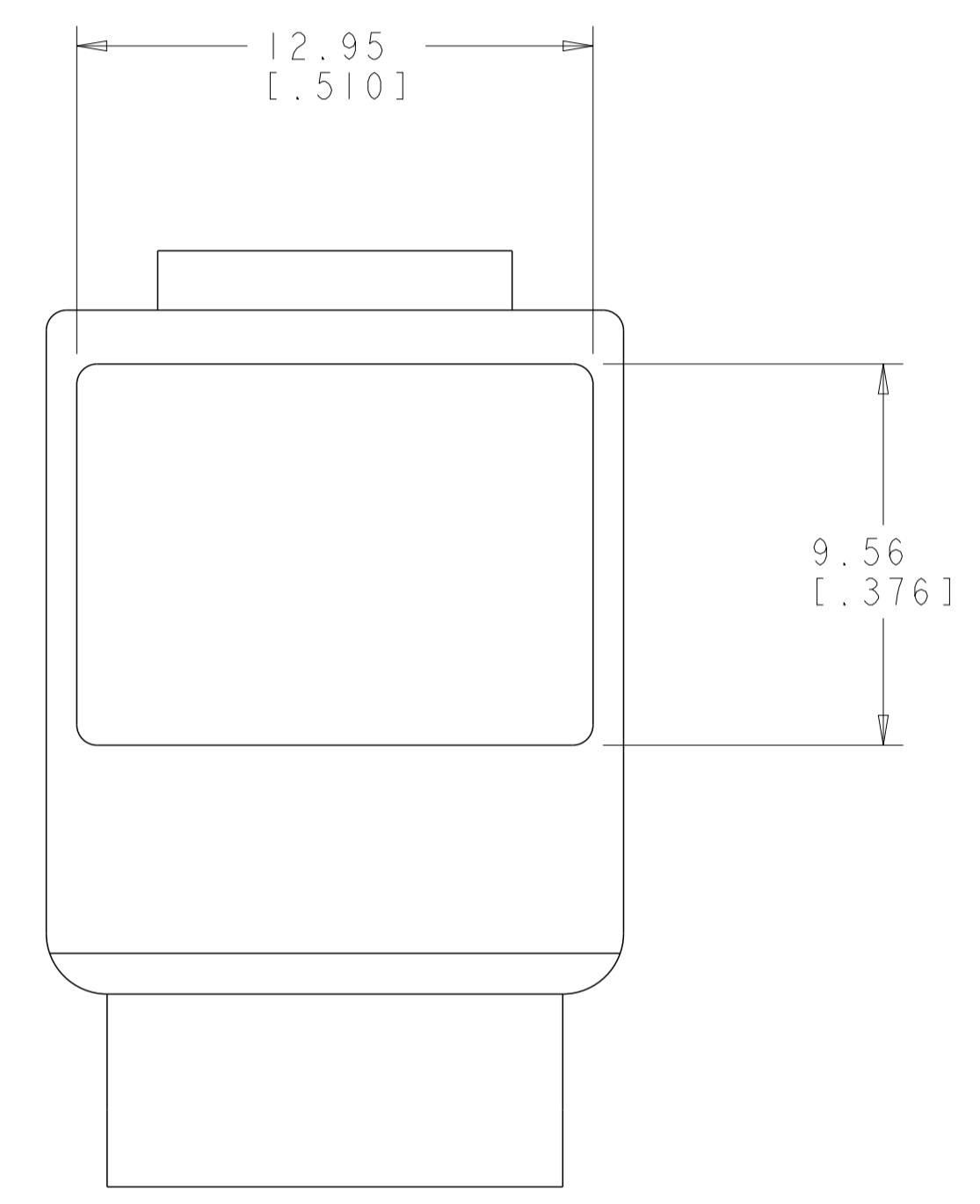
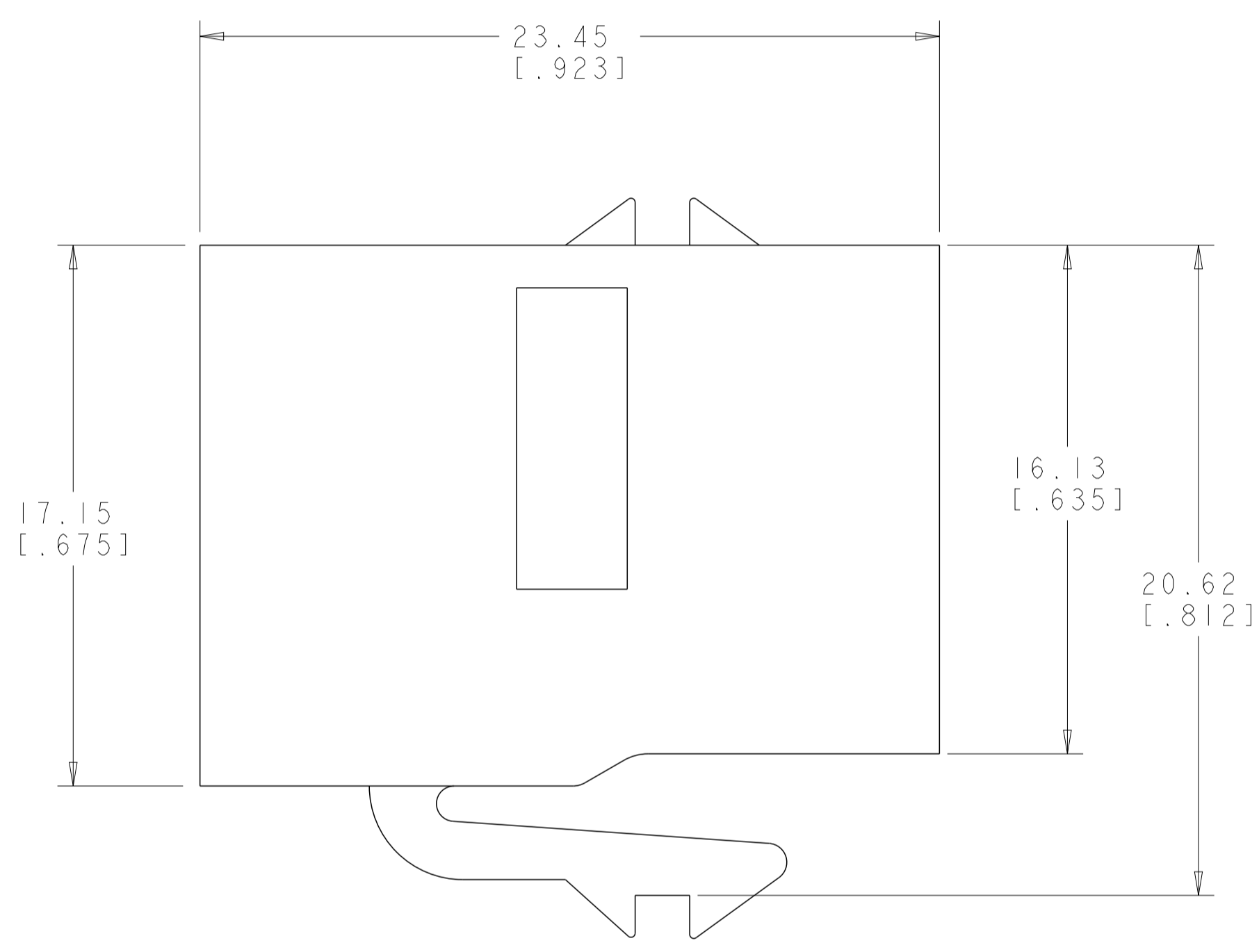
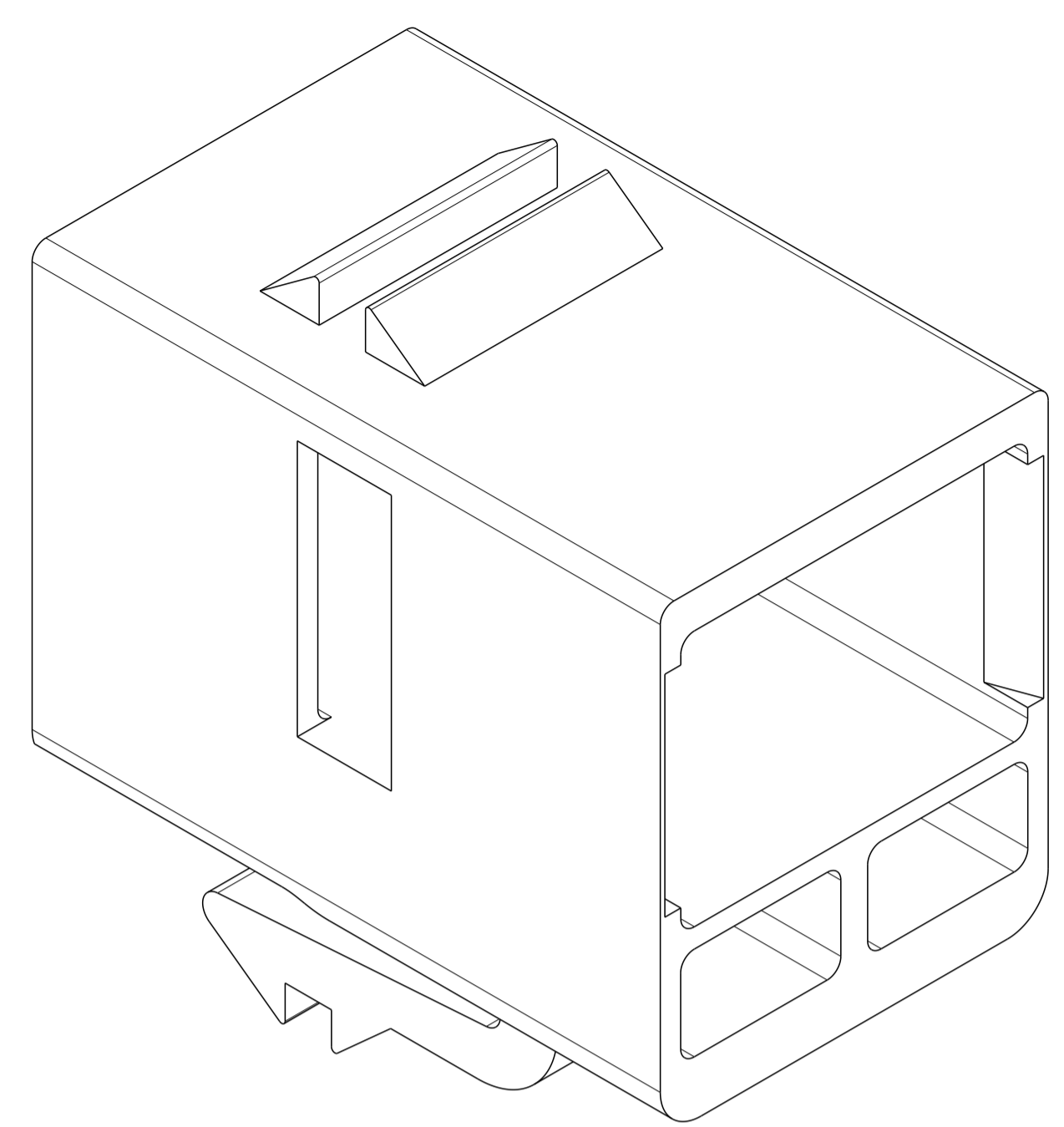


LOC		DIST		REVISIONS			
P	LTN	DESCRIPTION	DATE	DWN	APVD		
A		RLSD; ECO-11-010701	31MAY2011	GG	RA		
B		REV; ECO-13-016164	15OCT2013	GG	RA		
C		REV; 40026090MCO	29OCT2015	GG	LS		

⚠ MATERIAL: POLYPHENYLENE OXIDE MOLDING COMPOUND.
 ⚠ DIMENSIONS SHOWN FOR REFERENCE ONLY.



AQUA	2-2111408-4
ALPINE WHITE	1-2111408-3
BEIGE	1-2111408-2
GREEN	2111408-9
YELLOW	2111408-8
RED	2111408-7
BLUE	2111408-6
ORANGE	2111408-5
GRAY	2111408-4
BLACK	2111408-2
LIGHT ALMOND	2111408-1
COLOR	PART NUMBER

THIS DRAWING IS A CONTROLLED DOCUMENT.

DWN: G. GARRETT 31MAY2011
 CHK: R. ASHBY 31MAY2011
 APVD: R. ASHBY 31MAY2011

STE TE Connectivity

NAME: JACK HOUSING, SL 110, LC

SIZE: A1 CAGE CODE: 00779 DRAWING NO: 2111408 RESTRICTED TO: -

MATERIAL: - FINISH: - WEIGHT: - SCALE: 6:1 SHEET 1 OF 1 REV C

Customer Drawing