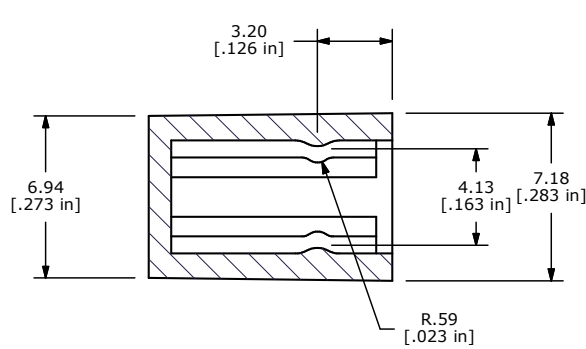
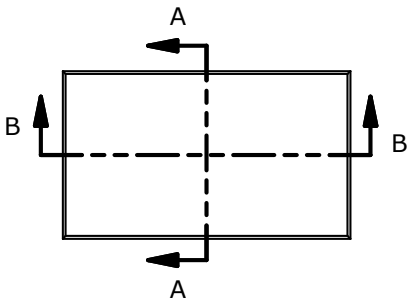
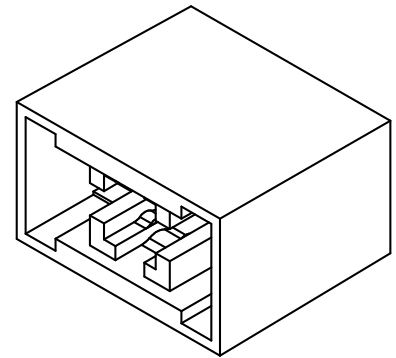
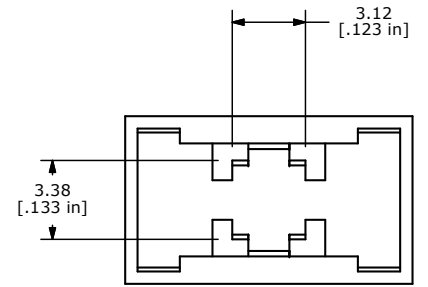


SECTION B-B  
SCALE 4 : 1



SECTION A-A  
SCALE 4 : 1



- NOTES:
1. ALL DIMENSIONS IN MM
  2. GENERAL TOLERANCE: X.XX± 0.15
  - ▲3. MATERIAL: ABS UL94HB
  - ▲4. COLOR: BLACK, PANTONE 3C
  5. ▲ DENOTES CRITICAL PARAMETER
  6. 2002/95/EC (ROHS) COMPLIANT



B	17592	CHANGED DIM. 3.19 TO 3.20	8/27/07	BF
A	15204	NEW RELEASE	8/26/05	PH
REV	PCR NO	DESCRIPTION	DATE	BY

TITLE TADBLK				
SCALE 4:1	DATE 8/27/2007	DR BF	DWG T041631	REV B

THE INFORMATION CONTAINED IN THIS DOCUMENT IS PROPRIETARY TO E-SWITCH AND IS NOT TO BE COPIED OR TRANSFERRED