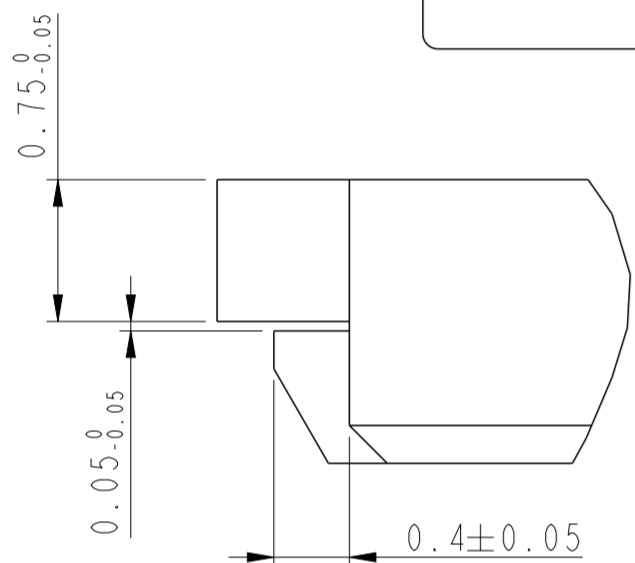
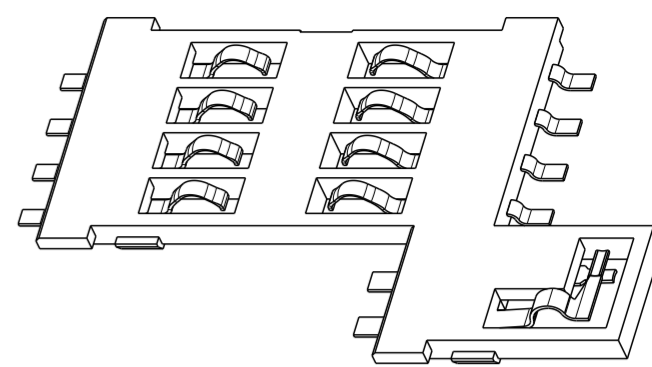
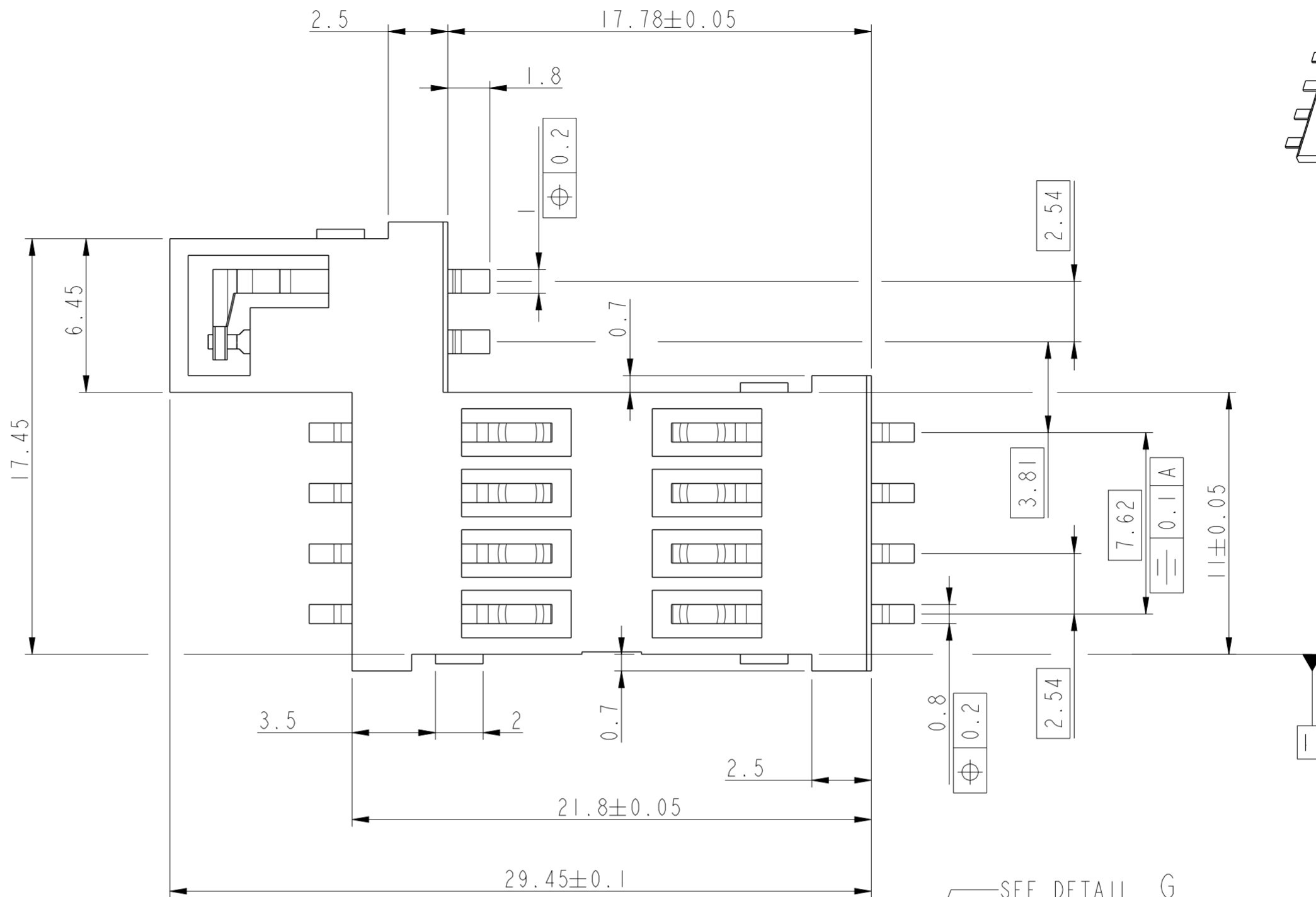
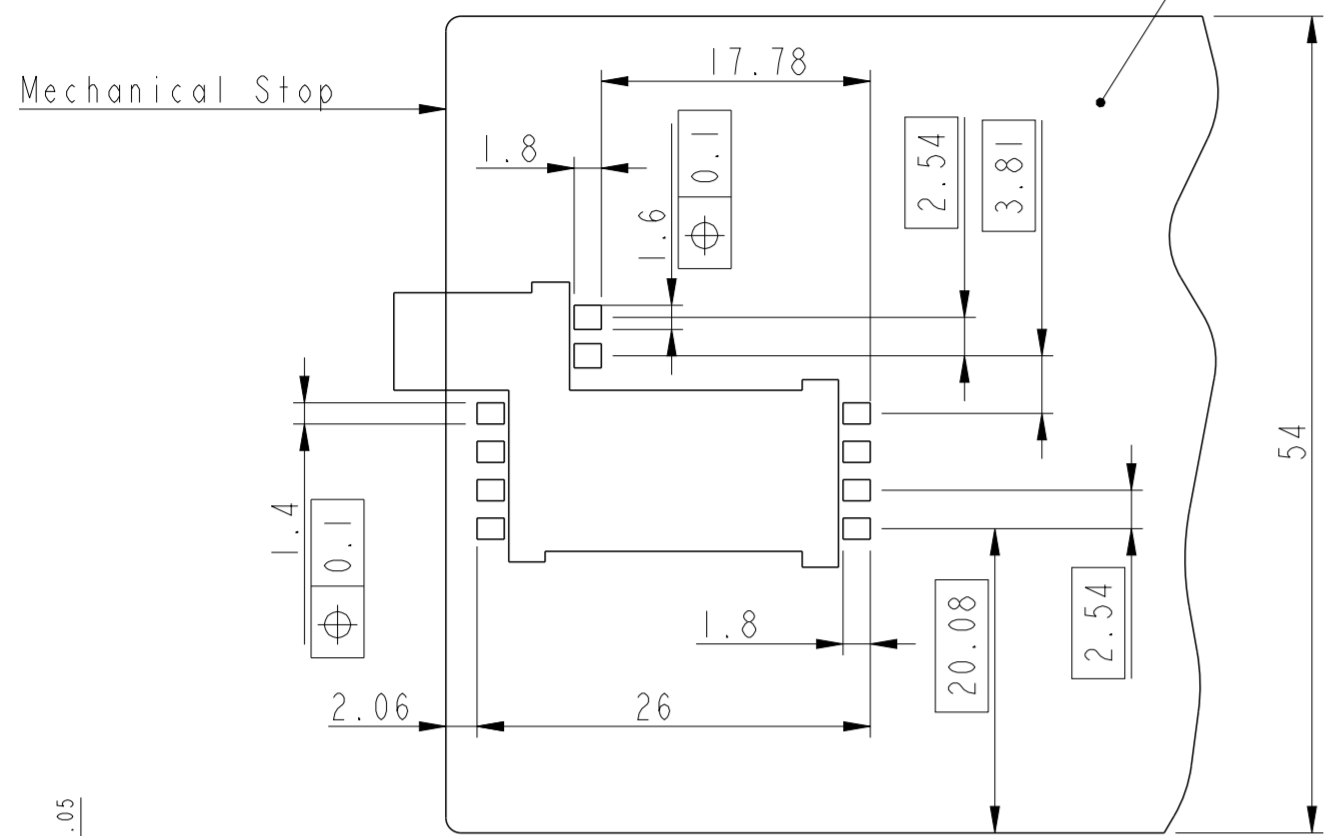


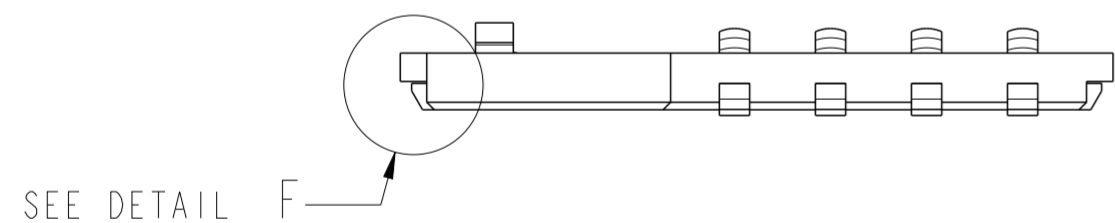
PCB Layout

CARD

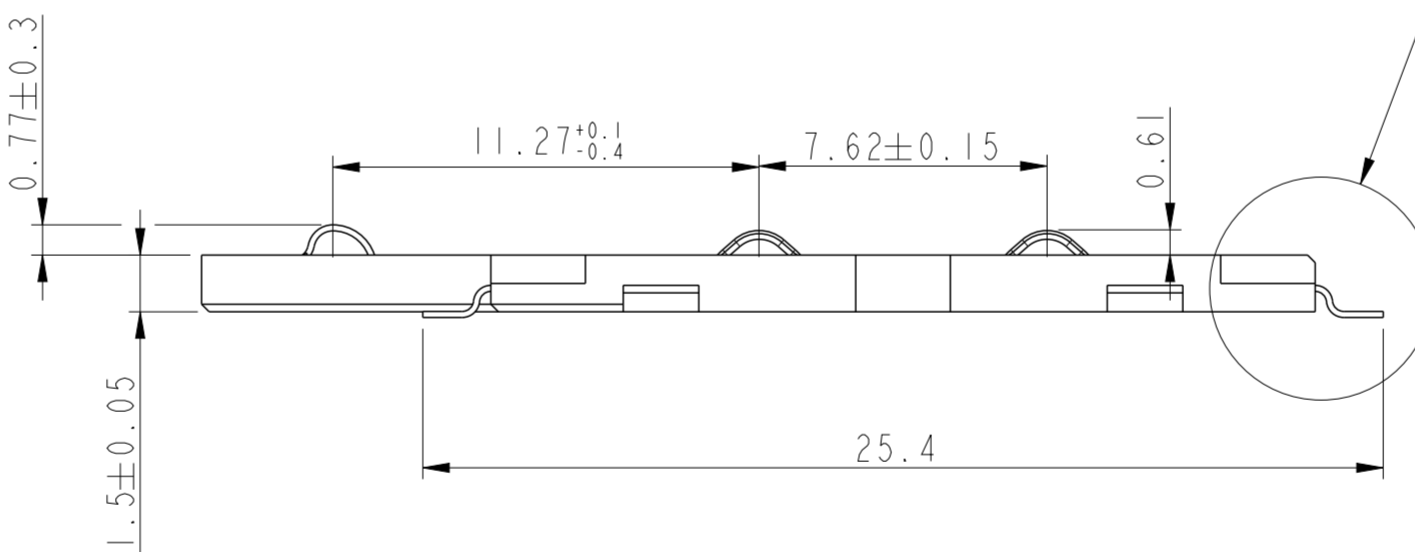
Mechanical Stop



DETAIL F
SCALE 25:1

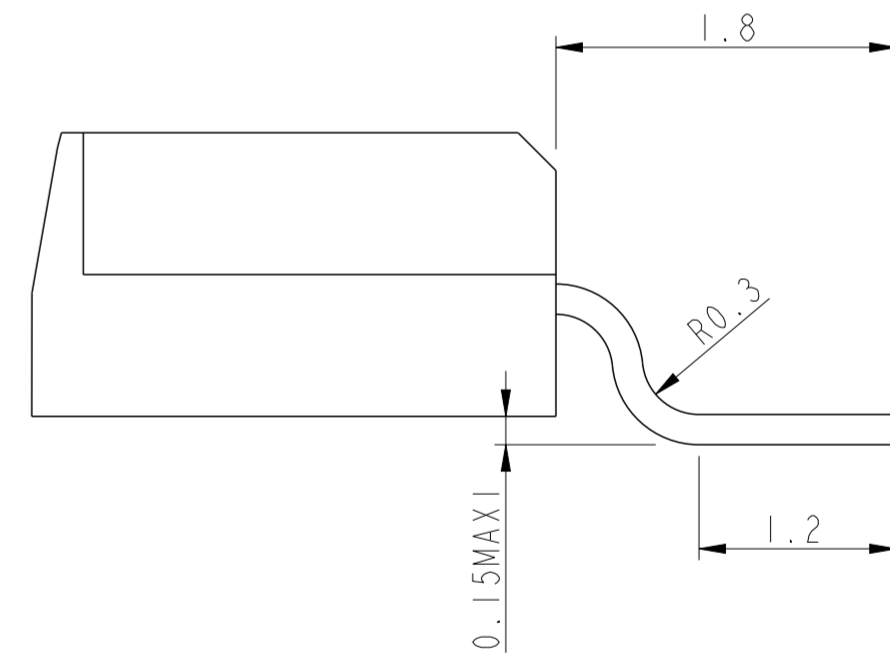


SEE DETAIL F



SEE DETAIL G

DETAIL G
SCALE 25:1



LEAD FREE PART NUMBER
7311S0725A01LF

NOTE RoHS INFORMATIONS

- The "LF" products meet European Union Directives and other country regulations as described in GS-22-008
- The housing will withstand exposure to 260°C peak temperature for 30 seconds in a convection, infra-red or vapor reflow oven. See application notes/procedures if they are available.
- Packaging spec: see GS-14-920

lfr	ecn no	dr	date
B	LS03-0006	JG	03/02/24
C	LS05-0029	LGO	05/04/04
D	LS05-0058	HLE	05/06/29
E	LS06-0115	HLE	06/08/08
F	109-0019	RPK	2009/02/06
G	110-0073	RPK	2010/03/15
-	-	-	-

www.fciconnect.com		surface	-	tolerance std	ISO 1302	ISO 406	ISO 1101	projection	mm
		ANGULAR		TOLERANCES UNLESS OTHERWISE SPECIFIED		0.X ±0.3		size	Scale
Dr D.LEGRAND 02/04/29		LINEAR		0.XX ±0.1		0.XXX ±0.05		A2	5:1
Eng F.TISSERAND 02/04/29		0° ±2°		Product family		SIM		ECN	110-0073
Chr -				Customer				Spec ref	-
Appr JF.NOTTEAU 02/04/29				Title		VJW 53696 CMS		dwg no	VJW53696
				catalog no		SEE TABLE		CUSTOMER	sheet 1 of 1

