

DV4100 Series

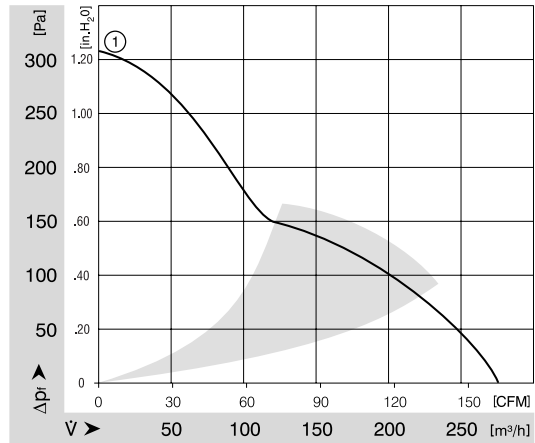
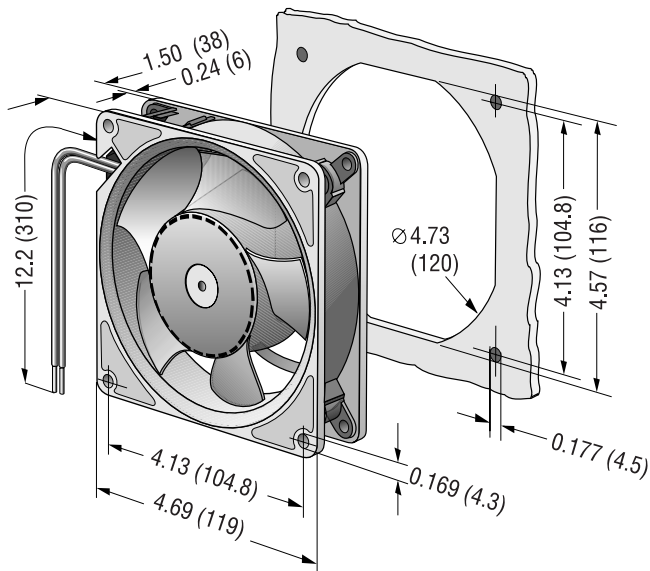
Tubeaxial

119x119x38mm



- DC fans with electronically commutated external rotor motor. Fully integrated commutation electronics. With electronic protection against reverse polarity, blocking and overloading.
- Metal flange. Impeller of fiber-glass reinforced plastic PA. Housing of fiber-glass reinforced PBT. Metal housing optional.
- Mounting from either face using four 4.3 mm holes.
- Air exhaust over struts. Rotational direction CCW looking at rotor.
- Electrical connection via leads AWG 22, TR 64. Stripped and tinned ends.
- UL, CSA, VDE in registration.

Part Number	Curve	CFM @ 0	VDC	Volt. Range	Power (W)	dBA	Max. Amb. Temp C	Bearing Type	Speed (RPM)	Wgt. (lbs)
DV4112N	1	161.9	12	9 to 15	21	60	65	Ball	6000	1.00
DV4114N	1	161.9	24	16 to 30	21	60	65	Ball	6000	1.00
DV4118N	1	161.9	48	36 to 60	21	60	65	Ball	6000	1.00



ebmpapst

e-mail: sales@us.ebmpapst.com · TEL: 860-674-1515 · FAX: 860-674-8536

ebm-papst Inc., 100 Hyde Road, Farmington, CT 06034 USA

ebm-papst Inc., 2006 © ebm-papst Inc. reserves the right to change any specifications or data without notice