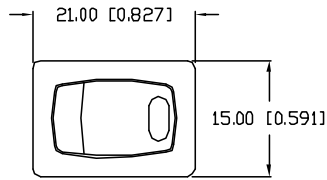
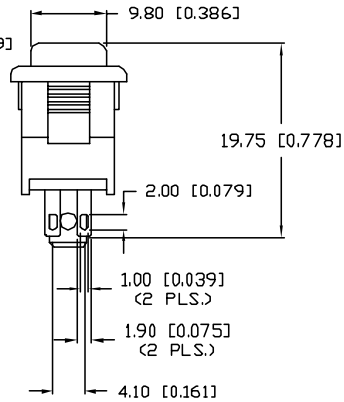
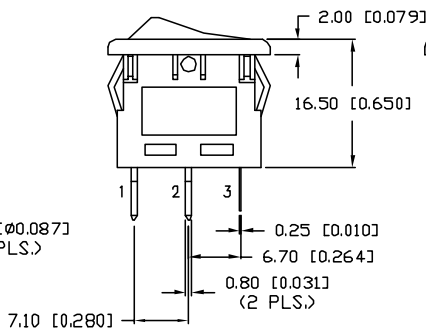
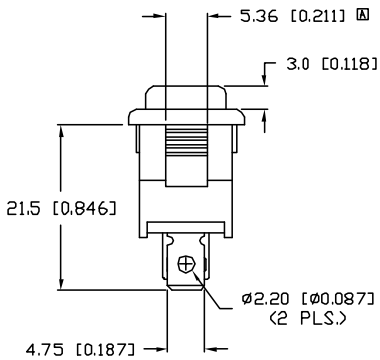


UNCONTROLLED DOCUMENT

| | | |
|------------------|-------------------------------------|----------|
| PART NUMBER | | REV. |
| CLS-RR11A125500R | | B |
| REV. | E.C.N. NUMBER AND REVISION COMMENTS | DATE |
| A | E.C.N. #11267. | 8.18.05 |
| B | E.C.N. #11148. | 12.08.06 |



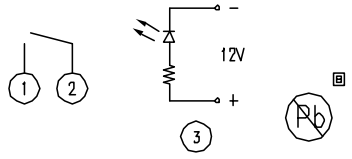
| CHARACTERISTICS | |
|-------------------|---------------|
| RATING | 10A AT 125VAC |
| LED COLOR | RED |
| CIRCUIT OPERATION | SPST |
| NO. OF PINS | 4 |
| SWITCH OPERATION | ON-OFF |



PANEL CUTOUT

| THICKNESS | X | Y |
|-----------|--------|--------|
| 0.75~1.25 | 19.200 | 13.000 |
| 1.25~2.00 | 19.400 | 13.000 |
| 2.00~3.00 | 19.800 | 13.000 |

INTERNAL CIRCUIT



*UNLESS OTHERWISE SPECIFIED TOLERANCES PER DECIMAL PRECISION ARE: X=±1 (±0.039), XX=±0.5 (±0.020), XXX=±0.25 (±0.010), XXXX=±0.127 (±0.005). LEAD SIZE=±0.05 (±0.002), LEAD LENGTH=±0.75 (±0.030). MIN=+DECIMAL PRECISION -0.00, MAX.=+0.00 -DECIMAL PRECISION

UNCONTROLLED DOCUMENT

| | | | |
|------------------------------------------------------------------------------|---------------------------------|-----------------------------------------------------------------------------------------------------------------------------------------------------------------------------------------------------------------------------------------------------------------------------------------------------------------------------------------------------------------------------------------------------------------------------------------------------------------------------------------------------------------------------------------------------------------------------------|----------------------------------------------------------------------------------------------------------------------------------------|
| REV. B | PART NUMBER CLS-RR11A125500R | <p>CONFIDENTIAL INFORMATION THE INFORMATION CONTAINED IN THIS DOCUMENT IS THE PROPERTY OF LUMEX INC. EXCEPT AS SPECIFICALLY AUTHORIZED IN WRITING BY LUMEX INC., THE HOLDER OF THIS DOCUMENT SHALL KEEP ALL INFORMATION CONTAINED HEREIN CONFIDENTIAL AND SHALL PROTECT SAME IN WHOLE OR IN PART FROM DISCLOSURE AND DISSEMINATION TO ALL THIRD PARTIES.</p> <p>RELIABILITY NOTE OUR MANY YEARS OF EXPERIENCE DATA ACCUMULATION INDICATE THAT SOLDER HEAT IS A MAJOR CAUSE OF EARLY AND FUTURE FAILURE. PLEASE PAY ATTENTION TO YOUR SOLDERING PROCESS.</p> | <p>290 E. HELEN ROAD PALATINE, IL 60067-6976 PHONE: +1.847.359.2790 US WEB: www.lumex.com TW WEB: www.lumex.com.tw</p> |
| RED LED, ILLUMINATED, RECTANGULAR ROCKER SWITCH, RATED FOR 10A AT 125VAC. | | DRAWN BY: JC CHECKED BY: APPROVED BY: | DATE: 12.08.06 PAGE: 1 OF 1 SCALE: N/A |