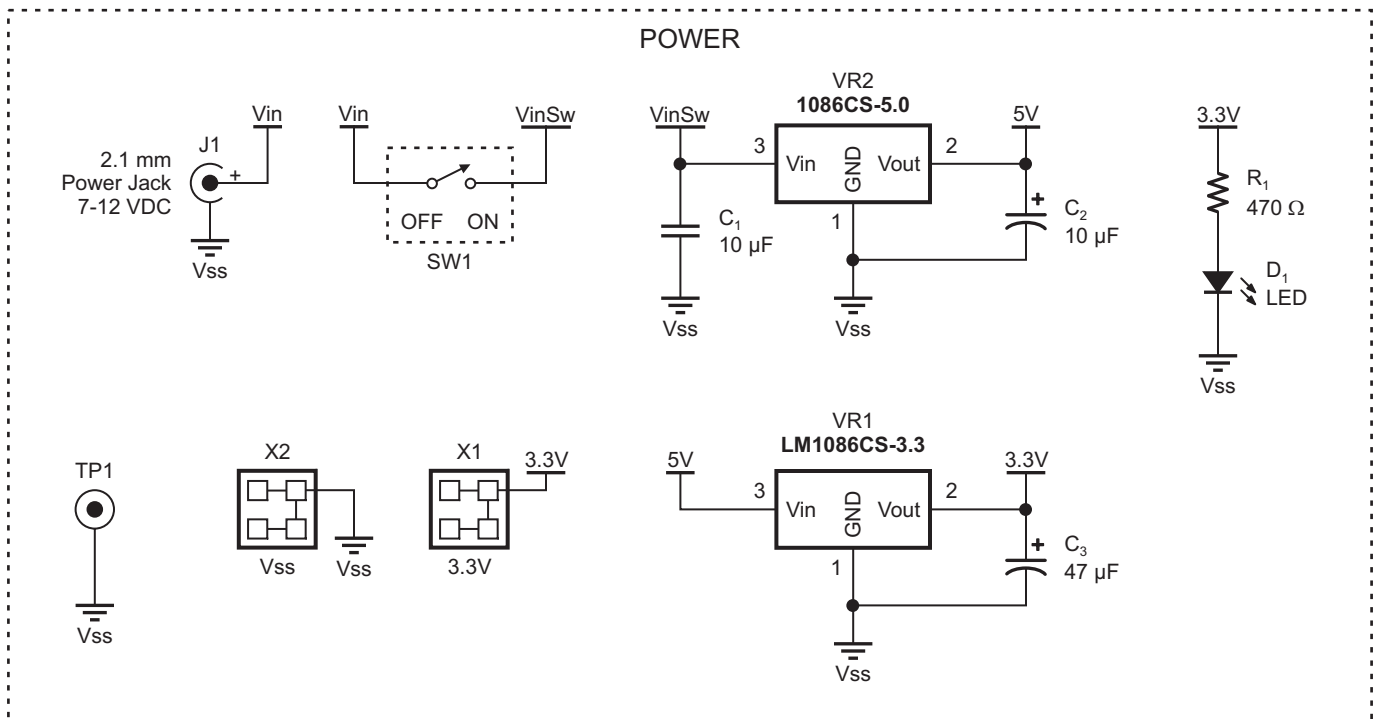


Propeller Professional Development Board Schematic Rev. A

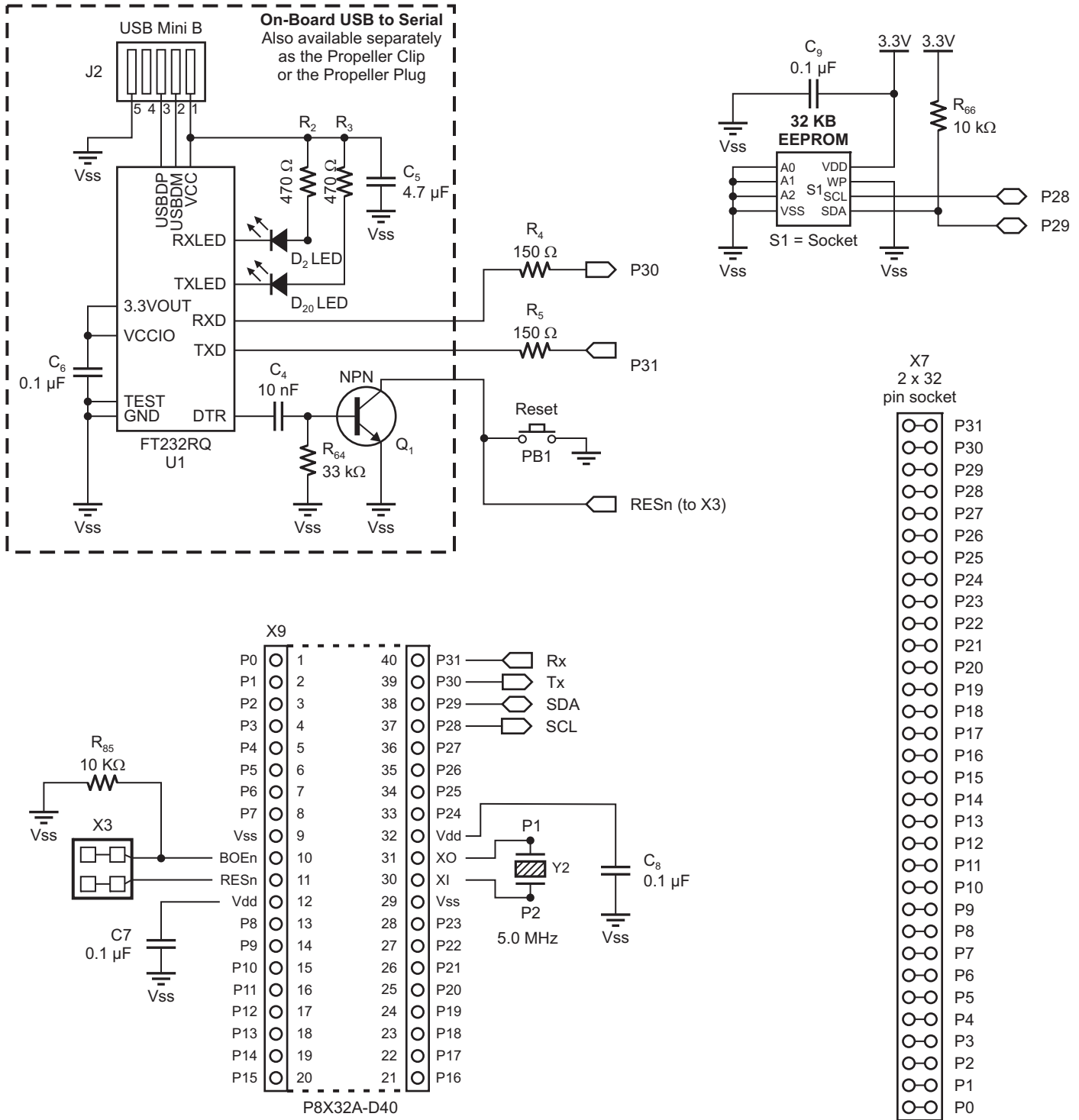
Updated July 27, 2009 © Parallax, Inc.



Propeller Professional Development Board Schematic Rev. A

Updated July 27, 2009 © Parallax, Inc.

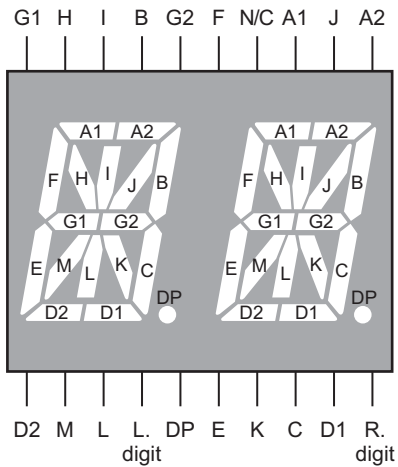
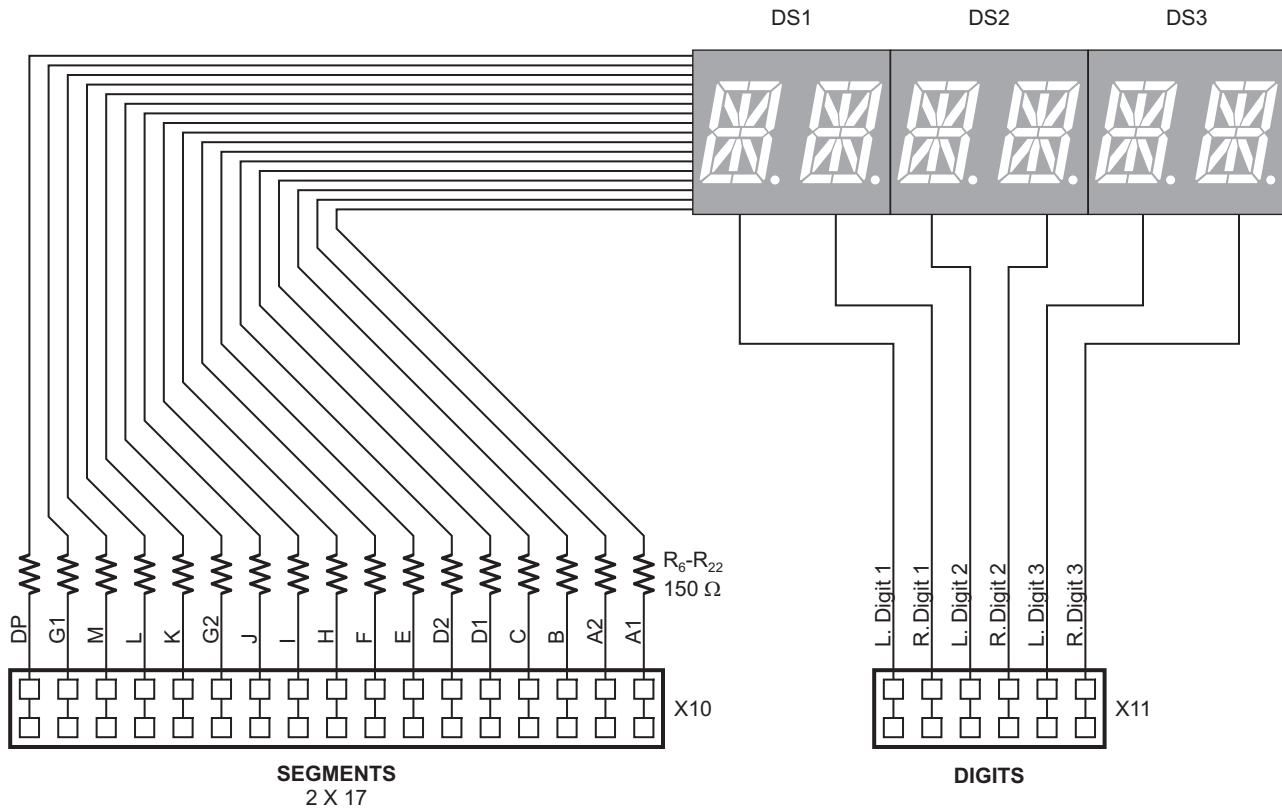
PROPELLER CIRCUIT



Propeller Professional Development Board Schematic Rev. A

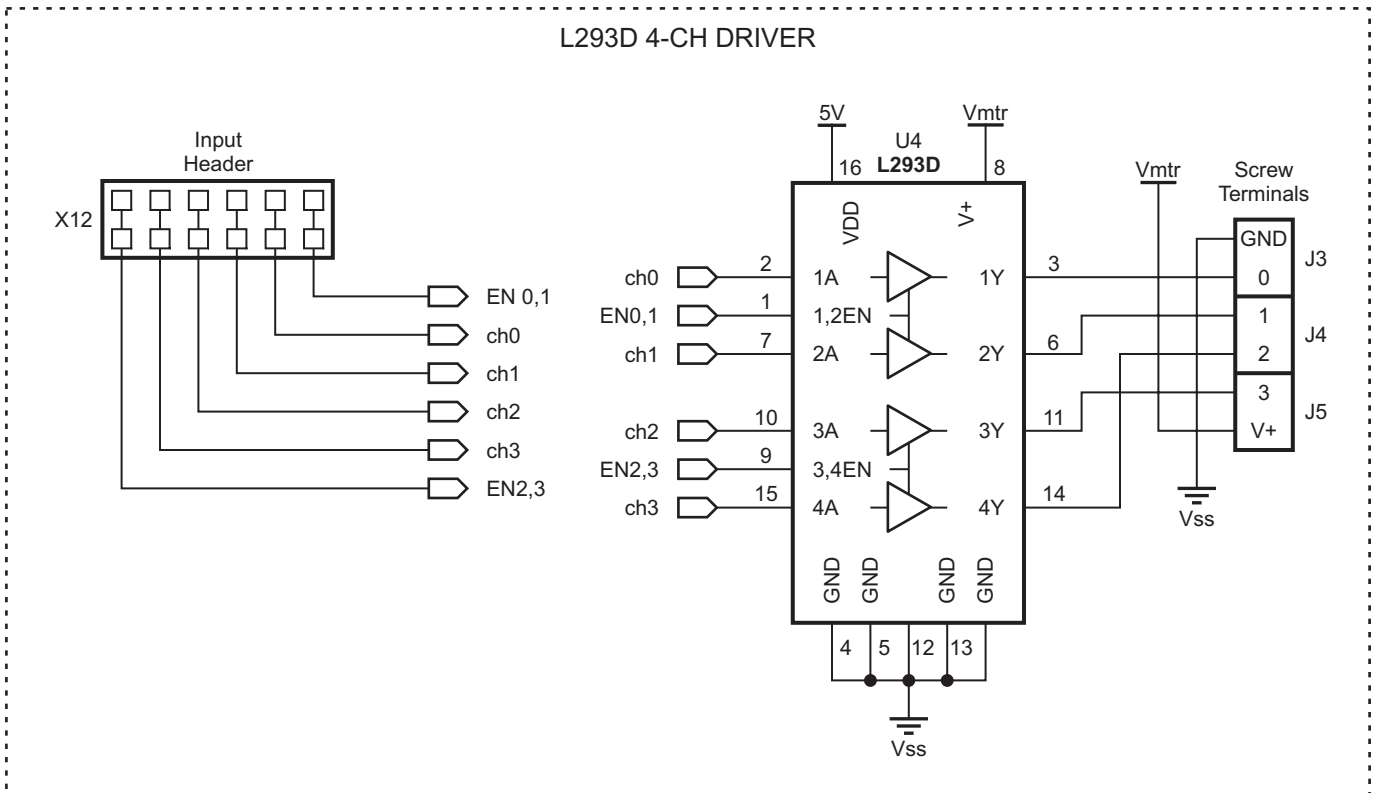
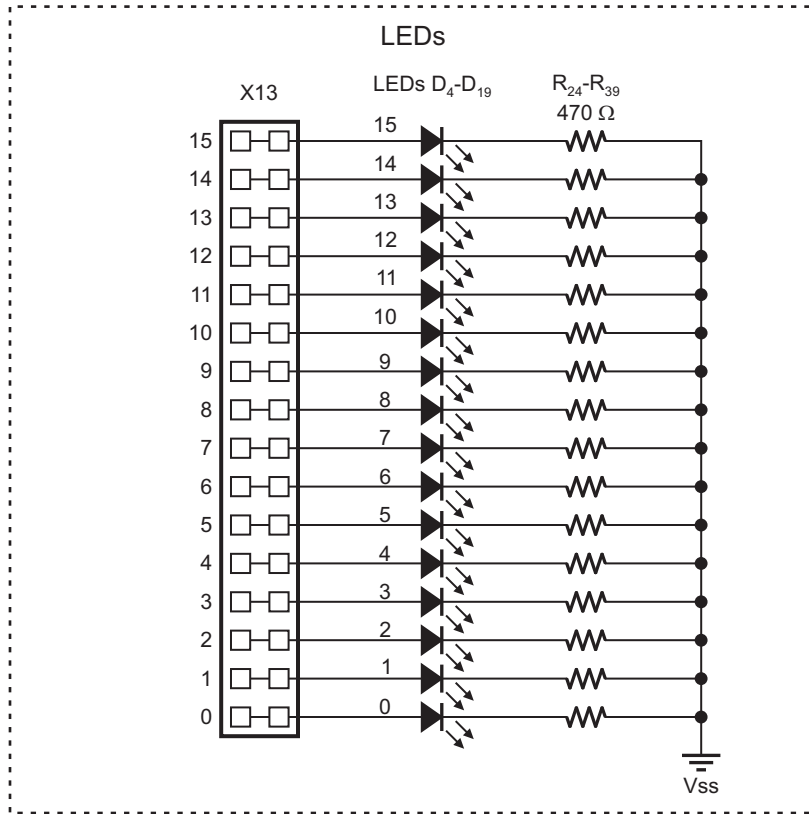
Updated July 27, 2009 © Parallax, Inc.

SIXTEEN SEGMENT DISPLAYS



Propeller Professional Development Board Schematic Rev. A

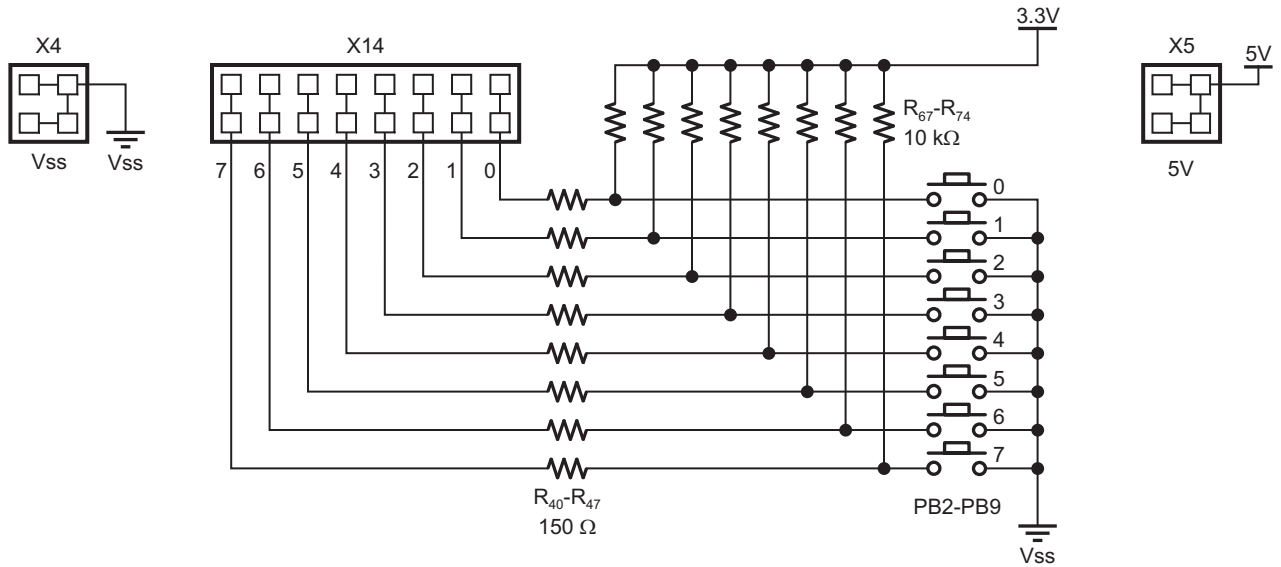
Updated July 27, 2009 © Parallax, Inc.



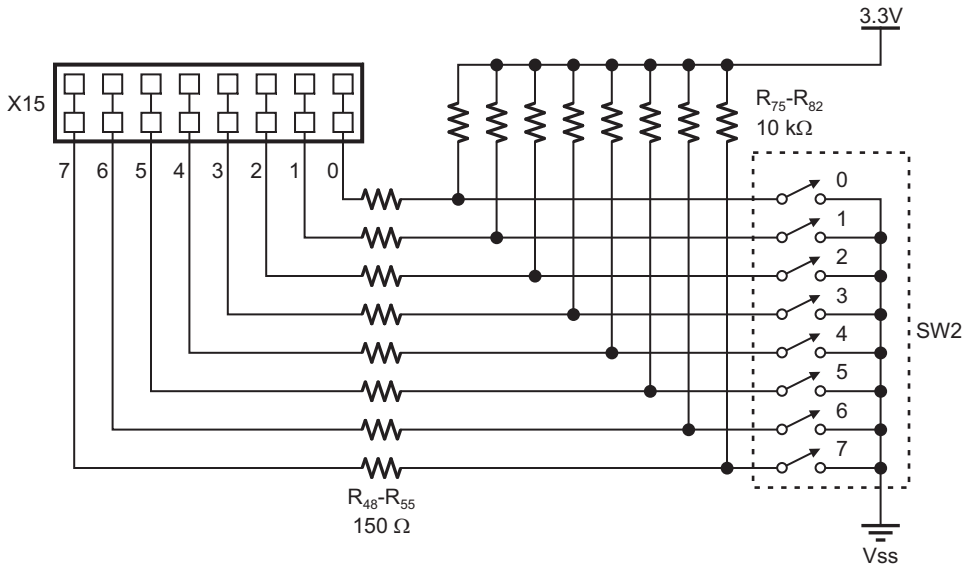
Propeller Professional Development Board Schematic Rev. A

Updated July 27, 2009 © Parallax, Inc.

PUSH BUTTONS

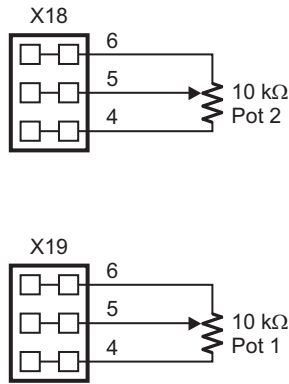


DIP SWITCHES

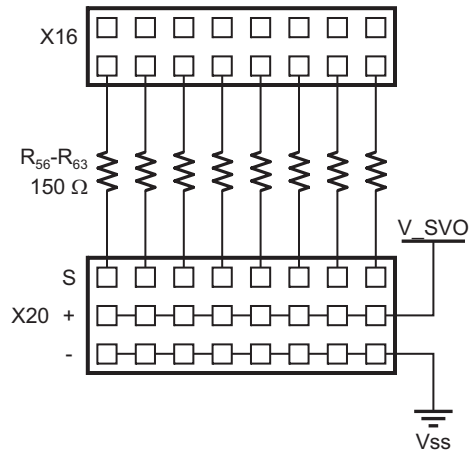


Propeller Professional Development Board Schematic Rev. A Updated July 27, 2009 © Parallax, Inc.

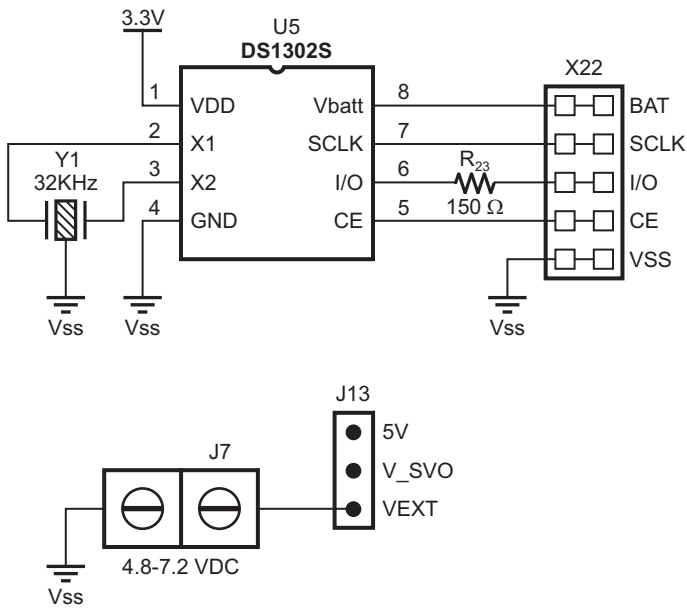
10K POTS



SERVOS

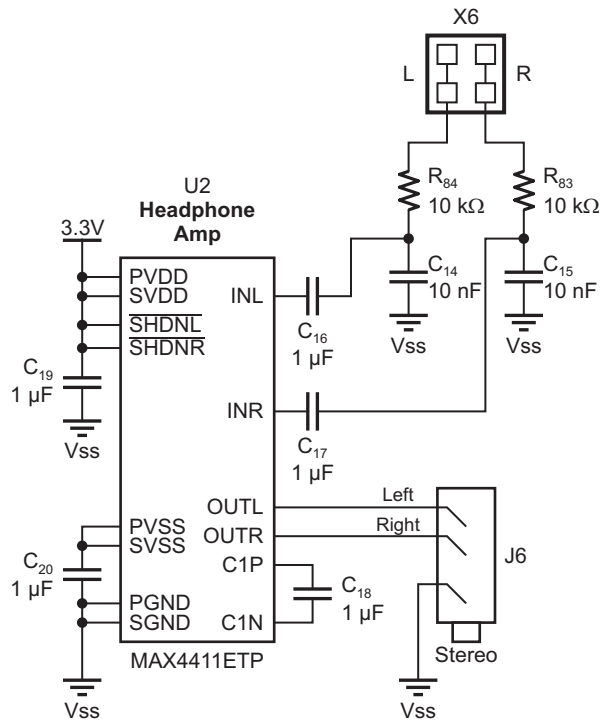


REAL TIME CLOCK



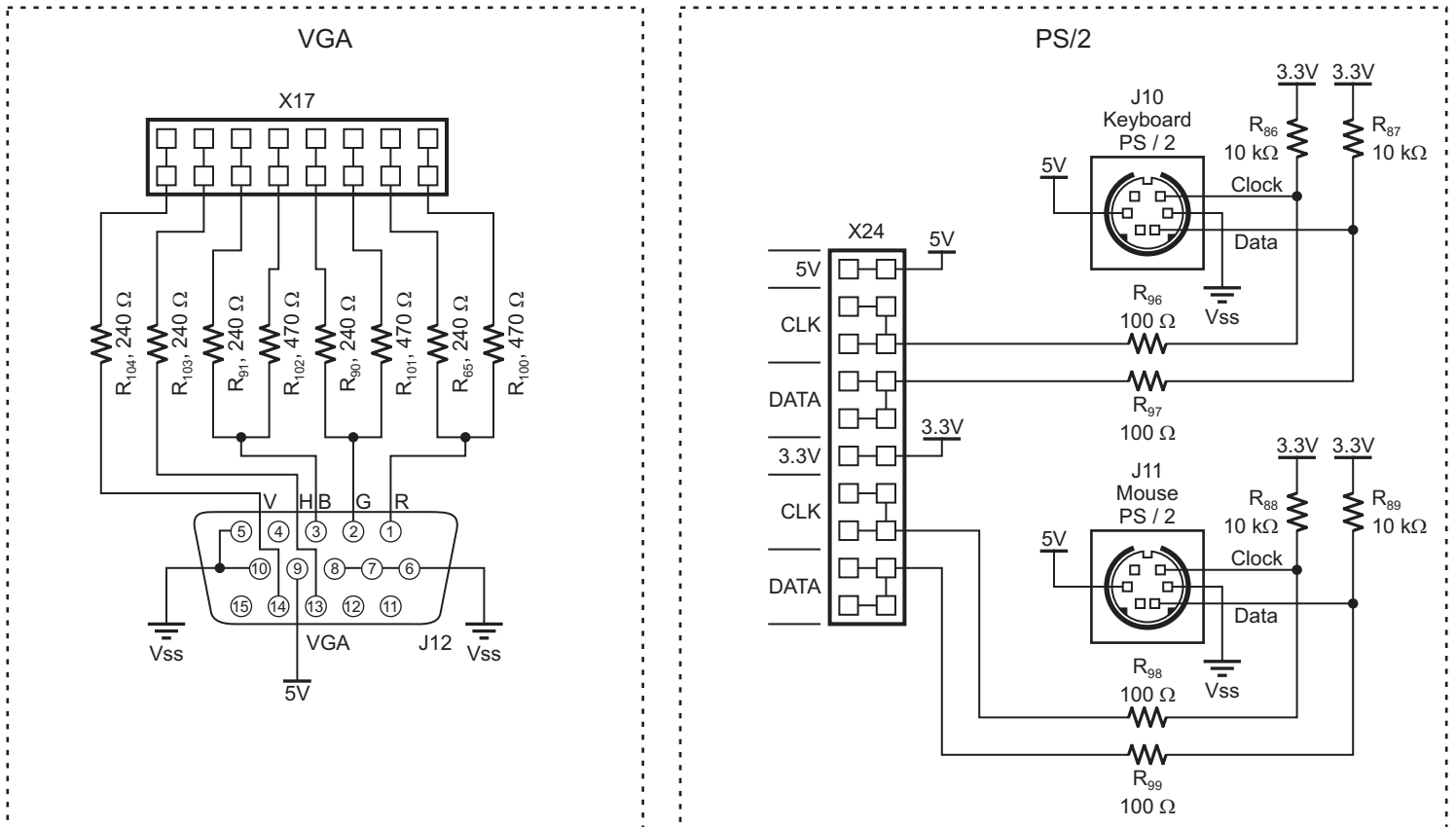
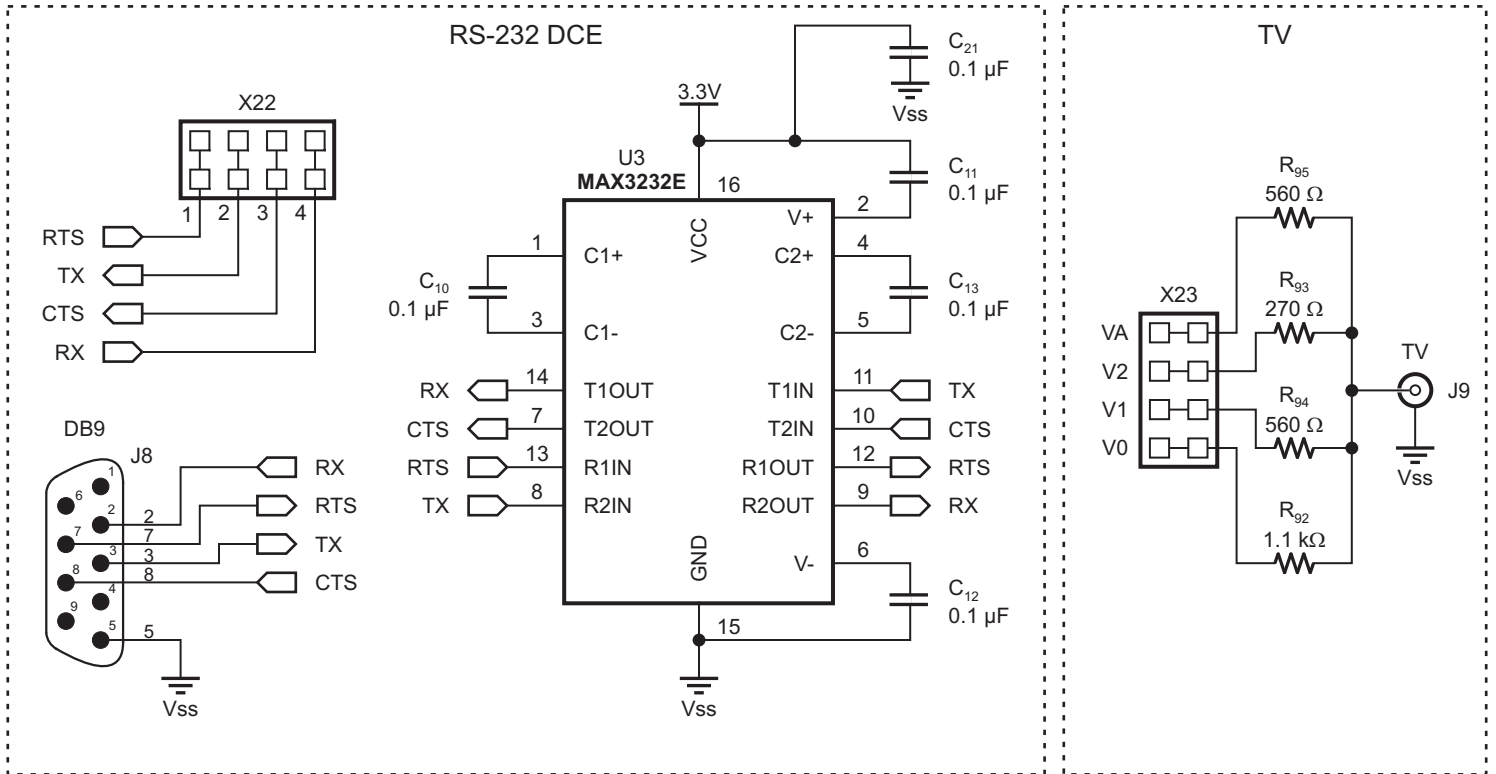
(J7 = Screw Terminal)
 (J13 = HDR 1x3 male)

HEADPHONES



Propeller Professional Development Board Schematic Rev. A

Updated July 27, 2009 © Parallax, Inc.



Mouser Electronics

Authorized Distributor

Click to View Pricing, Inventory, Delivery & Lifecycle Information:

[Parallax:](#)

[32111](#)