



PRODUCTS

- [Products Home](#)
- [Size Table](#)
- [Accessories](#)
- [Customization](#)
- [A-Series](#)
- [C-Series](#)
- [CA-Series](#)
- [CH-Series](#)
- [G-Series](#)
- [H-Series](#)
- [M-Series](#)
- [R-Series](#)
- [RX-Series](#)
- [S-Series](#)
- [SL-Series](#)

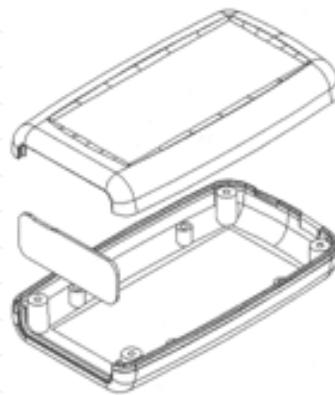
Products: H-Series

H-45



MODEL	LENGTH	WIDTH	HEIGHT	DRAWINGS	
				(.pdf)	(.dwg)
H-45	3.900"	2.200"	0.940"		

FEATURES



- Three piece design with ergonomic handheld shape
- Replaceable end panels ([see accessories below](#))
- Circuit board mounting bosses (adjustable height, [see in-mold customization](#))
- Assembly with four screws
- Customization available
 - five insert areas/I-Plates (top and bottom, internal top and bottom, and face place)
 - machining
 - pad printing

COLORS

-  Black
-  Almond
-  Gray
- Custom Colors Also Available

[RETURN TO TOP](#)

ACCESSORIES (Click an accessory for compatible models and part numbers)



**Infrared, Clear and
Transparent End Panels**
[RETURN TO TOP](#)



Pocket Clip

[Home](#) | [About SERPAC](#) | [Products](#) | [Accessories](#) | [Customizations](#) | [Distributors](#) | [Buy Now!](#) | [Contact Us](#)

PRODUCTS: [A-Series](#) | [C-Series](#) | [CA-Series](#) | [CH-Series](#) | [G-Series](#) | [H-Series](#) | [M-Series](#) | [R-Series](#) | [S-Series](#) | [SL-Series](#)

© 2004, SERPAC Electronic Enclosures. All Rights Reserved