

4

3

2

1

THIS DRAWING IS UNPUBLISHED.
 DIFFUSION RESTREINTE

RELEASED FOR PUBLICATION
 LIBRE A LA DIFFUSION

20

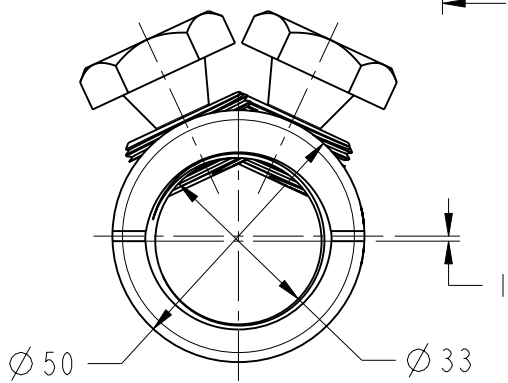
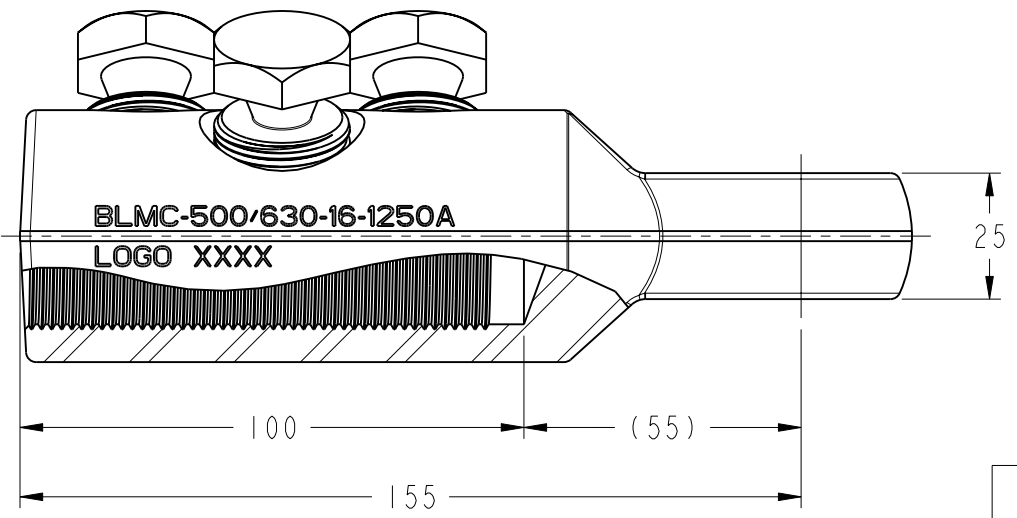
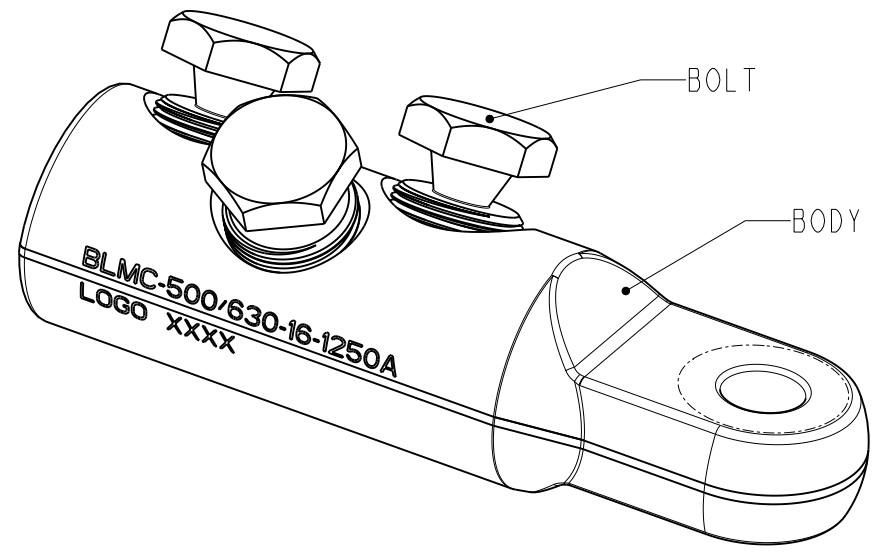
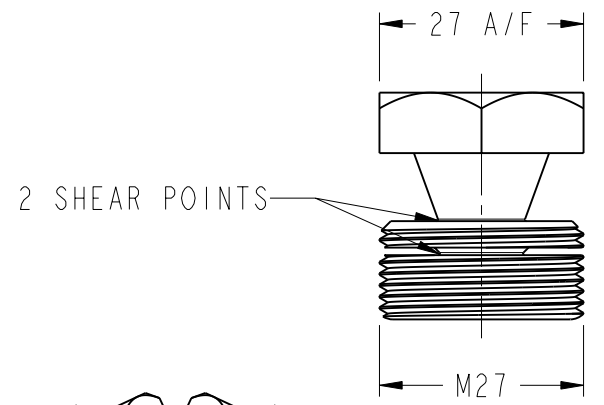
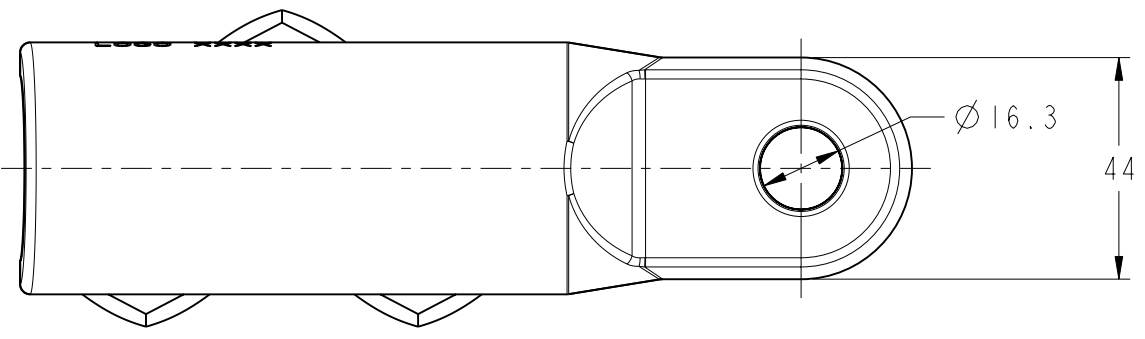
ALL RIGHTS RESERVED.
 TOUS DROITS RESERVES

LOC
FH

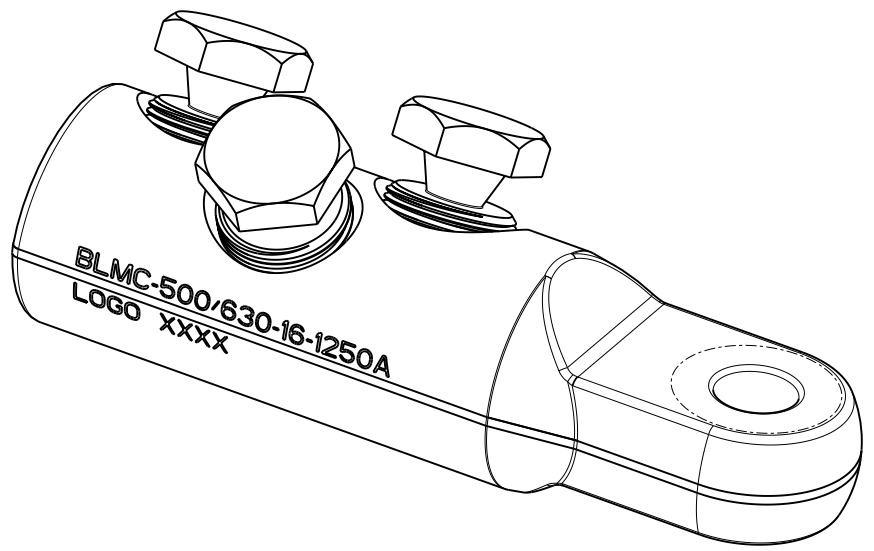
DIST
2

REVISIONS					
P	LTR REV	DESCRIPTION MODIFICATIONS	DATE	DWN DESS.	APVD APP.
	I	CREATION (WAS P202140)	15MAY2009	BM	NA
	A	DRAWING DIFFUSION	15APR2011	BM	NA

BLMC-500/630-16-1250A	2107040-1	CP8885-000
DESCRIPTION	PART NUMBER	RPN



	AL				CU	
	ROUND STRANDED /Circ. câblé /RM	ROUND SOLID /Circ. massif /RE	SECTOR STRANDED /Sectoral câblé /SM	SECTOR SOLID /Sectoral massif /SE	ROUND STRANDED /Circ. câblé /RM	SECTOR STRANDED /Sectoral câblé /SM
CONDUCTOR CROSS-SECTION /Section conducteur /Querschnittsbereich mm ²	500-630	500-630	-	-	500-630	-
CONDUCTOR DIAMETER /Diamètre conducteur /Leiterdurchmesser mm	Ø 25.3-Ø 32.5	Ø 24-Ø 28.4	-	-	Ø 25.3-Ø 32.5	-



THIS DRAWING IS A CONTROLLED DOCUMENT.
 CE PLAN EST UN DOCUMENT CONTROLE PAR TYCO ELECTRONICS CORPORATION.
 IL EST SUSCEPTIBLE D'ETRE REVISE. POUR OBTENIR LA DERNIERE REVISION,
 CONTACTER LE SERVICE TECHNIQUE DE TYCO ELECTRONICS SIMEL SAS,
 21220 GEVREY-CHAMBERTIN, FRANCE.

DIMENSIONS:
mm

TOLERANCES UNLESS OTHERWISE SPECIFIED:
 (SUIV NB DE DECIMALES):
 0 PLC/DEC: ±0
 1 PLC/DEC: ±0
 2 PLC/DEC: ±0
 3 PLC/DEC: ±0
 4 PLC/DEC: ±0
 ANGLES ±

MATERIAL MATIERE AL ALLOY
 FINISH FINITION TINNED

DWN/DESSINE 12APR2011
 B. MILLOT

CHK/VERIFIE
 M. DOLLING

APVD/APPROUVE
 N. ALMEIDA

PRODUCT SPEC SPEC. PRODUIT

APPLICATION SPEC SPEC. APPLICATION

WEIGHT MASSE APPROX. 568 g

CUSTOMER DRAWING /PLAN CLIENT

TOLERANCES UNLESS OTHERWISE SPECIFIED: -
 TOLERANCES NON SPECIFIEES: -

STE TE Connectivity

NAME TITRE BLMC-500/630-16-1250A

SIZE FORMAT A3
 CAGE CODE -
 DRAWING NO No PLAN C-2107040
 RESTRICTED TO RESERVE A -

SCALE ECHELLE 2:3
 SHEET FEUILLE 1 OF DE 1
 REV A