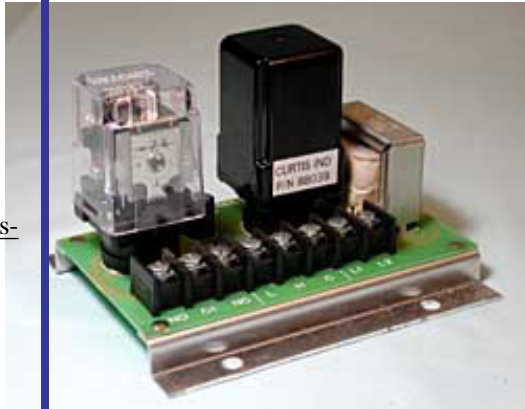


Part # Search

- [About Curtis](#)
- [Distributors](#)
- [Reps](#)
- [Competitor Cross-Reference](#)
- [Catalog PDF's](#)
- [Contact Us](#)
- [What's New](#)
- [Shipment Track](#)
- [FAQ's](#)
- [Glossary](#)
- [Check Stock](#)
- [Distributor Login](#)



 [Installation Manual](#)

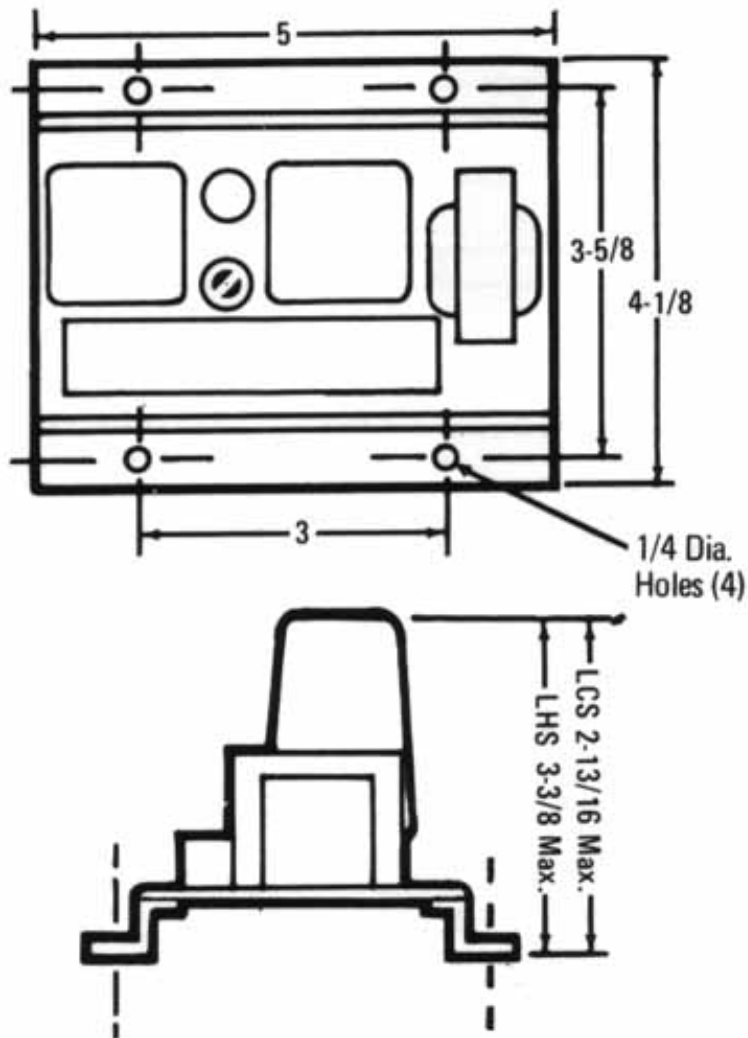
Features

- Low cost Model LCS for Standard Applications up to 100,000 ohms
- High-Sensitivity Model LHS for Special Applications from 100,000 to 3,000,000 ohms
- Solid-State Amplifier with Potentiometer for Signal sensitivity Adjustment
- Positive ON/OFF Operation Eliminates Relay Chatter
- Circuit Limits Short Circuit Probe Current to 10MA/24VAC
- Holding Circuit for Differential Levels, or Manual Reset
- Pre-Wired Auxiliary Contactor Available for Handling Heavy Loads and Motor Ratings Exceeding Capacity of Plug-In Relay

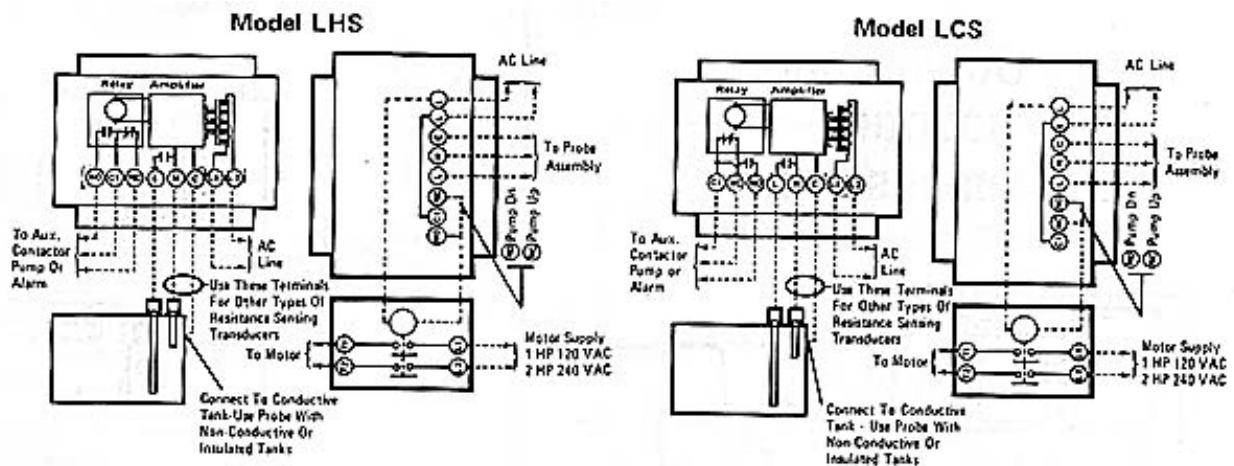
Specifications

Input Supply:	Model	Input Supply	Control Relay: Plug-In Type with Dust Cover
	LCS-10/LHS-1	120VAC;50/60Hz.	Probe Contacts: Internally Connected for Holding Circuit
	LCS-20/LHS-2	240VAC;50/60Hz	
	LCS-30	24VAC;50/60Hz	Load Contacts: LCS-SPDT, 1/4HP, 10amp Non-inductive, 120VAC 1/3 HP at 240VAC LHS-SPDT, 1/6HP, 10amp Non-inductive 120VAC 1/3HP at 240VAC
Maximum Allowable Supply Voltage Variation		+/- 10%	Auxiliary Contactor: DPST-NO-DB Rated 1 HP at 120VAC 2 HP at 240VAC
Maximum Power Consumption:		3 Watts	Ambient Operating Temperature: +32°F to 140°F
Detectable Range:	Up to 100,000 ohms(LCS)		Standard Termination: Barrier-Type Terminal Blocks Accepting Wire up to No. 12AWG. Auxiliary Contactor has combination Screw/Double .250" Quick-Connects.
	Up to 3,000,000 ohms(LHS)		Mounting Style: Flange
Adjustable Range:	1,000 to 100.000ohms(LCS)		
	100,000 to 3,000,000ohms(LHS)		
Operating Point Differential:	3%(Typical)		
Signal or Probe Voltage:	24VAC		
Maximum Signal or Probe Current:	10MA		

Outline & Mounting Dimensions



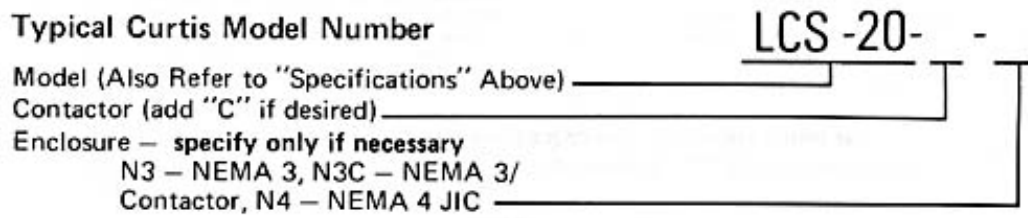
Connection Diagrams



Models LCS/LHS are forward mode controls. The control relay is energized when liquid rises to contact the "H" probe. The Control relay is pulled in and remains energized until liquid drops below the "L" probe. Sensitivity is adjustable.

Ordering Information

Typical Curtis Model Number



The composite number above reads as " an LCS amplifier for 240VAC supply, without enclosure and without contactor"

For further information on Catalog listed Controls contact your area Curtis Representative or Curtis Distributor. For Custom Design or modification contact your area Curtis Representative or the factory direct.