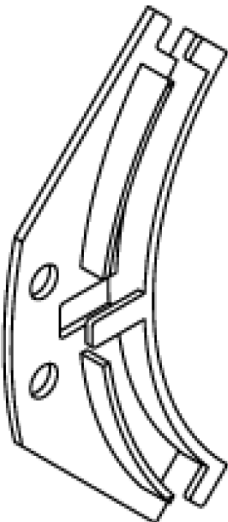
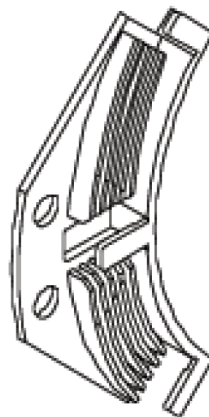


**EFA04 34 001, 002, 003,
004, 005, 006, 010**



EFA04 34 007



Part Number	Description
EFA04 34 R05	Corner Guide & Rivet,Black,35MM Rad RoHS Information

EFA04 34 Corner Guide



Features

- Maintains bending radius through a 90° turn
- Variable radius control options
- Rivet, screw or adhesive mounted

Fig. 2

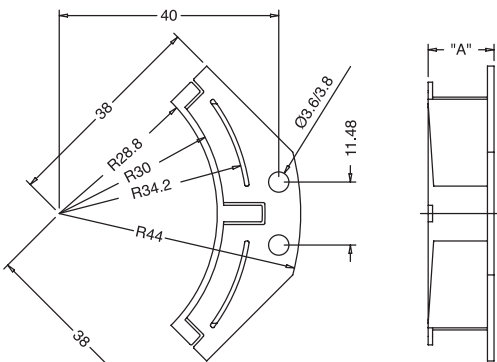


Fig. 4

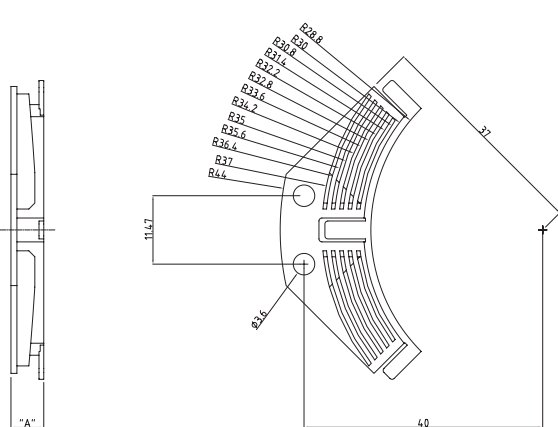


Fig. 1

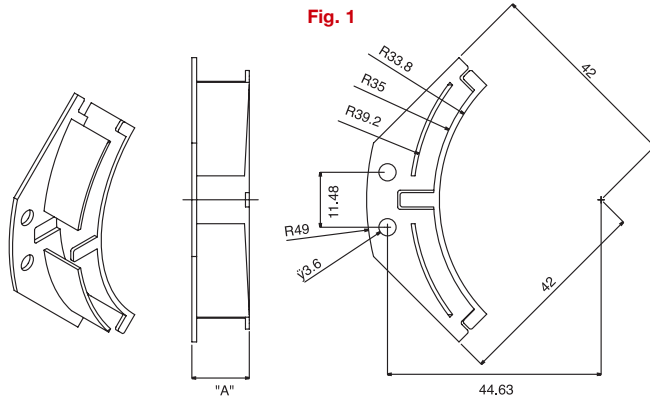
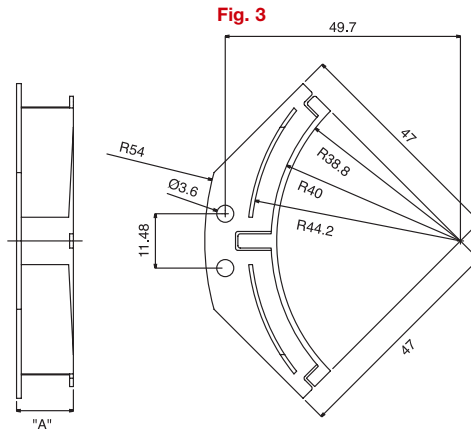


Fig. 3



A Europlus/Richco Product			
Material: Flame Retardant Nylon 6 UL94 V0, RMS-178; Color: Black			
Standard Pack: 100 per bag			
Part No.	Contents	"A" Height	Figure
EFA04 34 001	30mm Radius Corner Guide	5.0	1
EFA04 34 P01	Guide with Self-Adhesive Pad		
EFA04 34 R01	Guide with SRHR-3555 Rivets		
EFA04 34 PR1	Guide with Pad and Rivets	8.0	1
EFA04 34 010	30mm Radius Corner Guide		
EFA04 34 P10	Guide with Self-Adhesive Pad		
EFA04 34 R10	Guide with SRHR-3555 Rivets	12.0	2
EFA04 34 PR0	Guide with Pad and Rivets		
EFA04 34 004	30mm Radius Corner Guide		
EFA04 34 P04	Guide with Self-Adhesive Pad	4.8	2
EFA04 34 R04	Guide with SRHR-3555 Rivets		
EFA04 34 PR4	Guide with Pad and Rivets		
EFA04 34 002	35mm Radius Corner Guide	12.0	2
EFA04 34 P02	Guide with Self-Adhesive Pad		
EFA04 34 R02	Guide with SRHR-3555 Rivets		
EFA04 34 PR2	Guide with Pad and Rivets	4.8	3
EFA04 34 005	35mm Radius Corner Guide		
EFA04 34 P05	Guide with Self-Adhesive Pad		
EFA04 34 R05	Guide with SRHR-3555 Rivets	12.0	3
EFA04 34 PR5	Guide with Pad and Rivets		
EFA04 34 003	40mm Radius Corner Guide		
EFA04 34 P03	Guide with Self-Adhesive Pad	4.8	3
EFA04 34 R03	Guide with SRHR-3555 Rivets		
EFA04 34 PR3	Guide with Pad and Rivets		
EFA04 34 006	40mm Radius Corner Guide	12.0	3
EFA04 34 P06	Guide with Self-Adhesive Pad		
EFA04 34 R06	Guide with SRHR-3555 Rivets		
EFA04 34 PR6	Guide with Pad and Rivets	5.5	4
EFA04 34 007	Ribbon Fiber Guide		
EFA04 34 P07	Guide with Self-Adhesive Pad		
EFA04 34 R07	Guide with SRHR-3555 Rivets	5.5	4
EFA04 34 PR7	Guide with Pad and Rivets		

Parts are available by special order only. 500 piece minimum.

All dimensions in millimeters