

JACK PLUGS

148-257/258

Mono and Stereo Types

The Cliff Range of high quality Jack Plugs are produced from solid Brass — Nickel plated. Plastic parts are:-

- Insulators - High Temperature Phenolic - will not melt or shrink when connections are soldered.
- Covers - Tough Polypropylene - produced in a range of fast colours.
- Screened Plugs - Some Models have option of Metal Cover - alternatively lower cost plated plastic covers of similar mechanical strength.

Side entry Plugs (SEP) have Plastic Covers with option of Chrome finish, or Coloured Plastic Cover - Standard Colour Black - other colours available to order. P1 and P2 Plugs are available with optional Screw Terminals (REF - BT) to facilitate solderless connection.

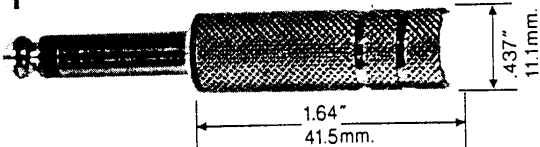
Our Range of Plugs are manufactured according to DIN Dimensions, (except P1-M, P1J, JP035, JPO25) and operate reliably in all similar Standard Sockets.

All the Plugs incorporate strong Cable Clamps. Cables of diameter up to 8mm. can be used depending on Plug Model. Standard packaging — 100/Pack or 1,000/Carton.

Applications range from Audio-Telephone-numerous Industrial-Computer to Military uses. Custom Models are made subject to quantity.

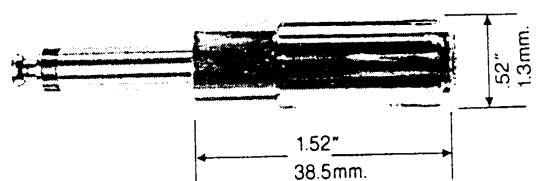
For guidance - our Computer Part Nos. are shown in Blue.

P1 Mono screened ¼"



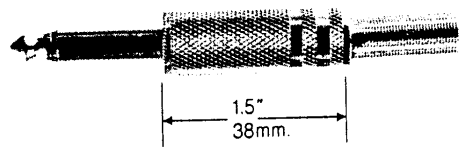
These are manufactured with a knurled chrome cover and grommet on the cable outlet. Max cable Ø 6.4mm. (With grommet removed).
They feature a cable clamp which is an integral part of the earth screening contact and clamps firmly without cutting through the cable.
P1/U O.E.M Version. Riveted construction. Body and Cover supplied separate.
Nato No. 5905-527-3408 = P1-BT.
P1 - CL1002 P1-BT -CL1006

P1-P Mono screened ¼"



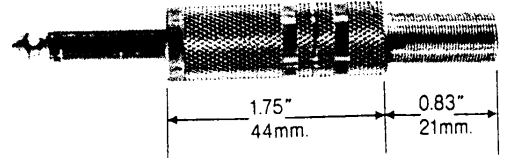
Same as P1 except cover is chrome plated plastic. practically unbreakable. Max cable Ø 6.5mm.
P1-P/U O.E.M Version. Riveted construction. Body and Cover supplied separate.
CL1004

P1 - M Mono screened ¼"



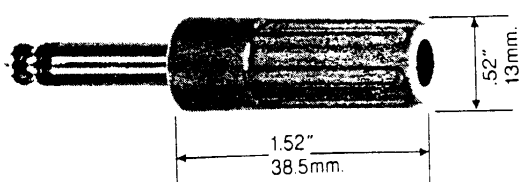
Mono Plug — Will accept cables up to 8mm. Ø (Jumbo Cable) without coil spring or 6.7mm. Ø with coil spring. Chrome finish, riveted construction.
CL1007

P1 - J 'JUMBO' Mono screened ¼"



"JUMBO" Plug. Has 14mm. Ø body and accepts cable up to 8mm. Ø (Cliff Jumbo Cable).
Natural brass finish. Coil spring cable protector. Riveted construction.
CL10015

P2 Mono unscreened ¼"



These are similar to the design of the type P1 but have a tough moulded plastic cover, which is available in the following colours: Black, White, Grey, Green, Red, Blue, Yellow.
P2/U O.E.M Version. Riveted construction. Body and Cover supplied separate.
Nato No. 5905-99-527-3407 = P2-BT. Max cable Ø 6.5mm

CLIFF SCREENED CABLES

FKAK1., FKAK2 Aluminium foil screened cables are specially useful for use with Jack Plugs.

NOISELESS CABLE; (Jumbo Cables).
Cliff super flexible noiseless cable is designed for audio use - Specially with P1-M, P1-J Plugs.

Supplied on 100mts. loops. (FM6905).

SEE ALSO OUR CABLES DATA LEAFLET.

PLUGS FOR MOULDING We can supply special versions of all sizes of plug probes for customers to mould onto cables we can also supply moulded Plug/Cable